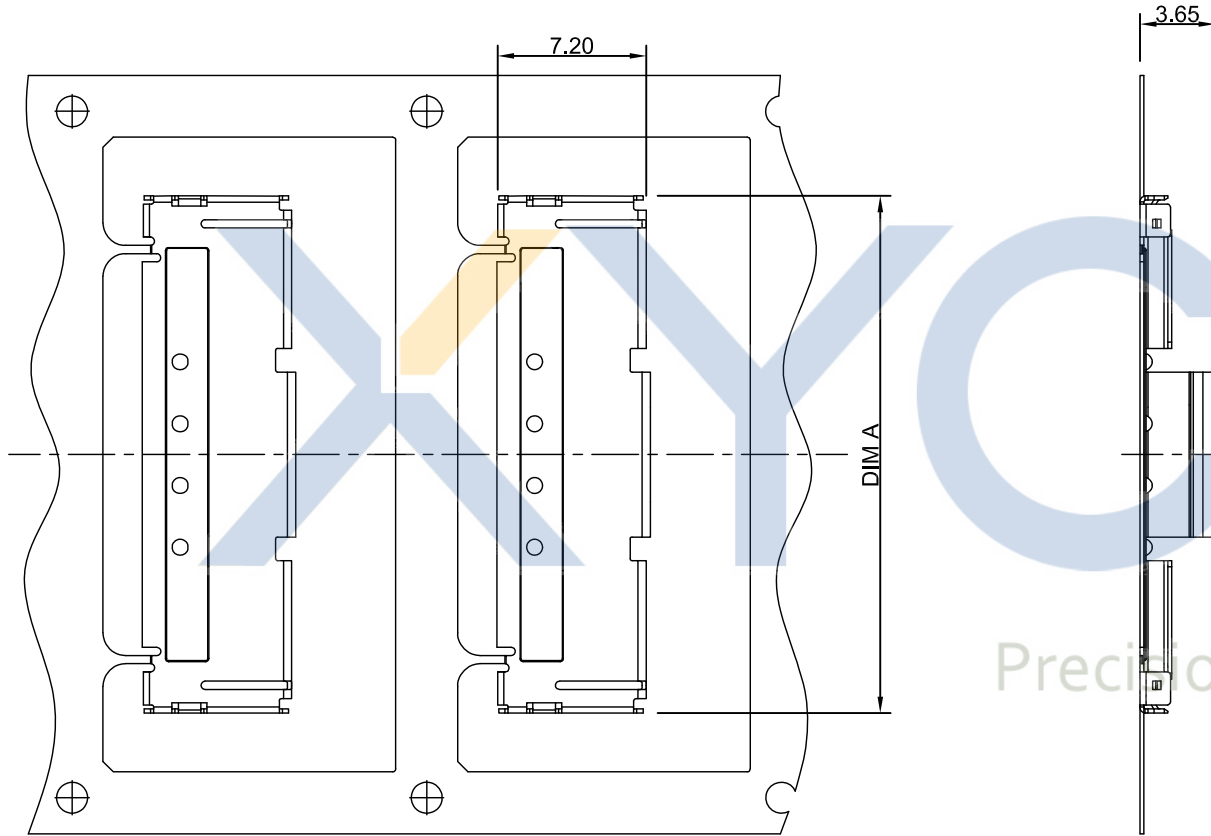


DRAWING FOR CUSTOMER



■Specifications :

- Current : Rating : 0.3A AC/DC
- Voltage Rating : 50V AC/DC
- Contact Resistance : 80mΩ Max.
- Dielectric Withstanding Voltage: 150V AC/DC
- Insulation Resistance: 100MΩ MIN.
- Operating Temperature: -55°C to +85°C
- Material:Stainless steel

KB502-X X S X A

Pin No.

Version

Shell

Mold No.

Precision Connectors

| | |
|--------|-------|
| Pin No | A |
| 20P | 15.10 |
| 30P | 20.10 |
| 40P | 25.10 |

XYCO PRECISION CONNECTORS

TEL: 0769-8297 9981/2/3 <http://www.XYCO.com.cn>

| | | | | | | | | | | | |
|------------|-----------|------------------------|-------------|----------------|-----------------|----------------|-----|---------------|---------|----------------------|--|
| | | | | | TOLERANCE 公差 | DRAWING 設計者 | 譚火秦 | KB502-XXSXA | | | |
| 2013-05-27 | A | CHANGE HISTORY 變更歷史 | KB502-XXSXA | DRAWING 變更者 | .X=±0.30 | CHECKED 審查 | 楊峰 | PART NO. 料號 | | | |
| DATE 日期 | VER 版本 | | | | .XX=±0.20 | APPROVED 核准 | 譚宏 | DWG NO. 圖號 | PE1002A | UNIT 單位 | mm |
| | | | | | .XXX=±0.10 | | | | | PRODUCT NAME 產品名稱 | HONDA LVC PH0.5mm (H=2.4mm) Wire To Board Connector Upper Shell |

