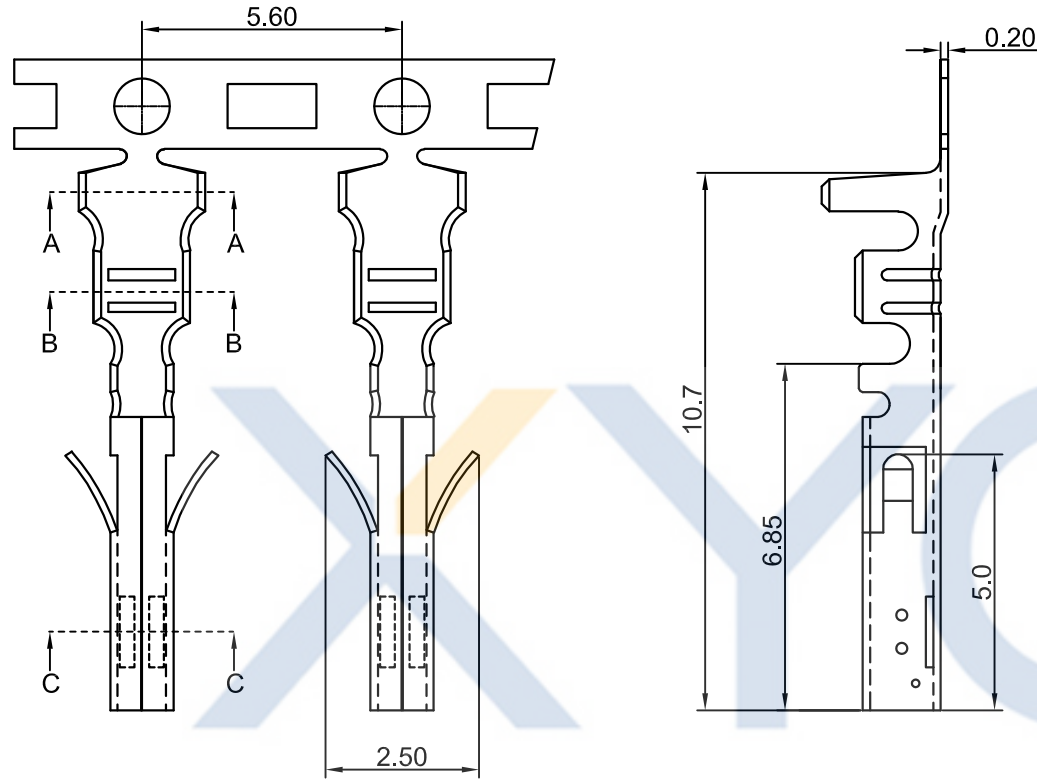


# DRAWING FOR CUSTOMER



- SPEC.:
- Rated Voltage:250V AC,DC
  - Rated Current:5A AC,DC
  - Withstand Voltage:1500V AC/minute
  - Contact Resistance:15mΩ max
  - Insulation Resistance:1000MΩ min
  - Temperature Range:-25℃~+85℃

- Terminal:
- Material:Phosphor/Brass Bronze
  - Finish:Tin-plated, Over Nickel
  - Applicable wire:AWG#20~24

KB9301-XXXT7A

- 1:All plated
- 2:Half plated

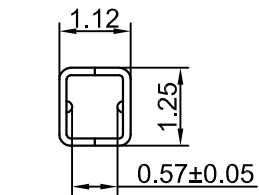
Plating

- 0: Tin-plat
- 1: Gold Plat1u"
- 2: Gold Plat3u"
- 3: Gold Plat5u"

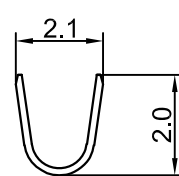
Version

Mold No.

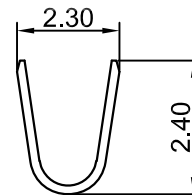
Terminal



Section:C-C



Section:B-B



Section:A-A

注明：配用的公座针是0.65mm四方针

**XYCO** 东莞市轩业电子科技有限公司  
TEL: 0769-8297 9981/2/3 <http://www.XYCO.com.cn>

2015-10-15		A	CHANGE HISTORY 變更歷史	KB9301-XXXT7A	Devin	TOLERANCE 公差	DRAWING 設計者	Devin	KB9301-XXXT7A		UNIT 單位		PRODUCT NAME 產品名稱	43030 PH3.0mm Wire To Wire Terminal-Female
DATE 日期	VER 版本	CHANGED NAME 修改後料號				DRAWING 變更者	.X=±0.30 .XX=±0.20 .XXX=±0.10	CHECKED 審查	Thomas	PART NO. 料號	mm	PRODUCT NAME		
								APPROVED 核准	William	DWG NO. 圖號	PE2109015A			