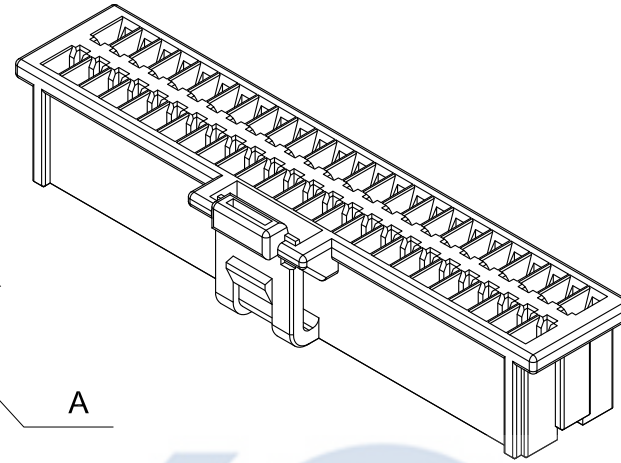
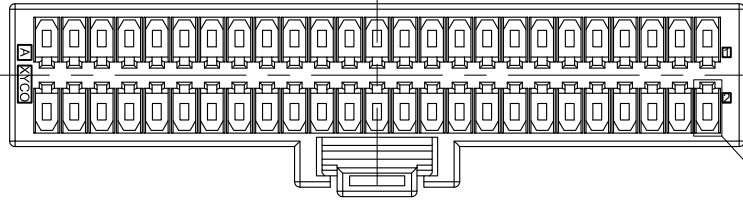
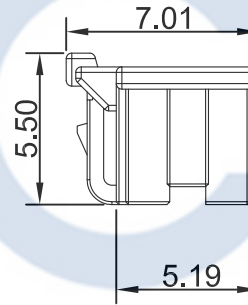
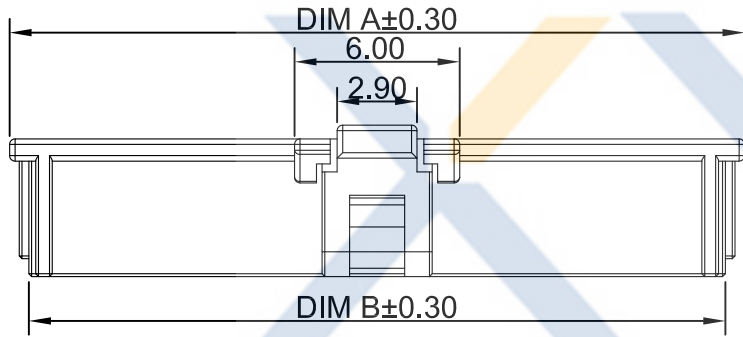


# DRAWING FOR CUSTOMER



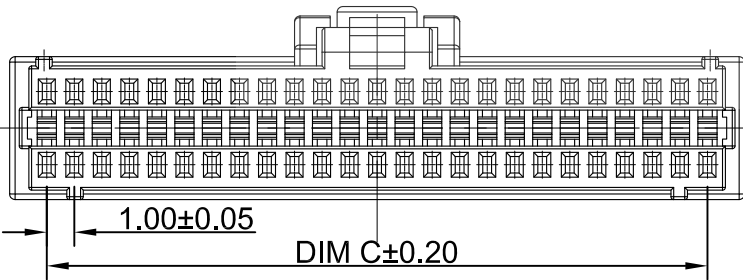
- SPEC.:
- Rated Voltage:50V AC,DC
  - Rated Current:1A AC,DC
  - Withstand Voltage:250V AC/minute
  - Contact Resistance:20mΩ max
  - Insulation Resistance:100MΩ min
  - Temperature Range:-25℃~+85℃

- Material:
- Insulator:PA66 UL94V-0
  - Color:Natural



KB9907-DXXHL1A-X  
 Double row  
 Pin No.  
 Housing

XYCO  
 Version  
 Mold No.  
 With Lock



Poles	Dimensions (mm)		
	A	B	C
20	11.7	10.3	9.0
30	16.7	15.3	14.0
40	21.7	20.3	19.0
50	26.7	25.3	24.0

**XYCO** 东莞市轩业电子科技有限公司  
 TEL: 0769-8297 9981/2/3 http://www.XYCO.com.cn

DATE 日期	VER 版本	CHANGE HISTORY 變更歷史	CHANGED NAME 修改後料號	DRAWING 變更者	TOLERANCE 公差 .X=±0.30 .XX=±0.20 .XXX=±0.10	DRAWING 設計者 CHECKED 審查 APPROVED 核准	Devin Thomas William	KB9907-DXXHL1A-X PART NO. 料號 DWG NO. 圖號	PE1712002A
2017-09-15	A		KB9907-DXXHL1A-X	Devin					

UNIT 單位	mm	PRODUCT NAME 產品名稱	501189 PH1.00mm Wire To Board Double row Housing With Lock
------------	----	----------------------	---------------------------------------------------------------