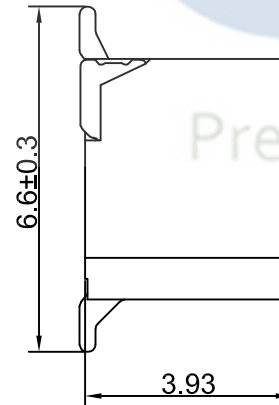
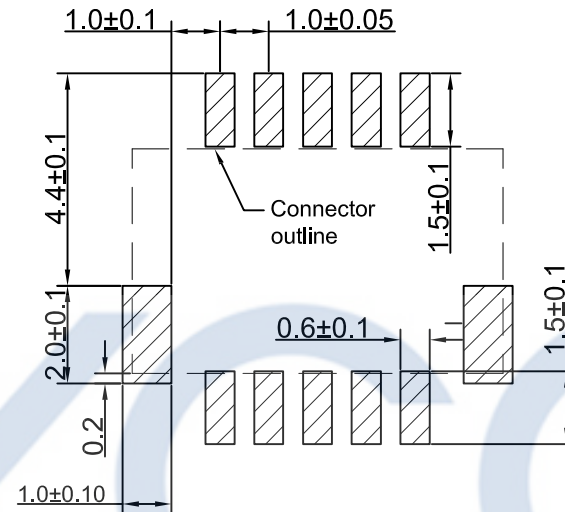
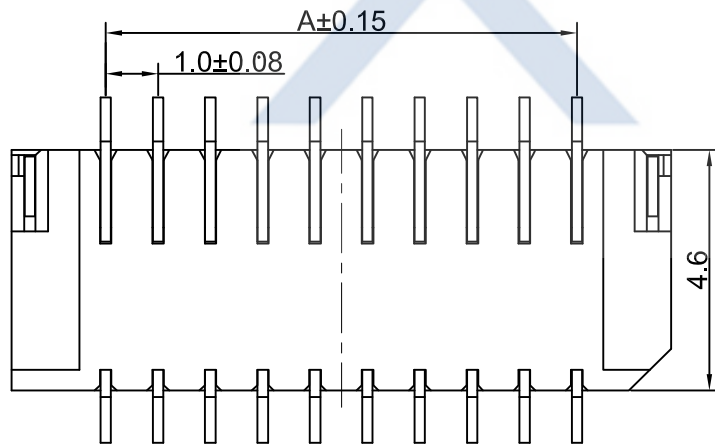
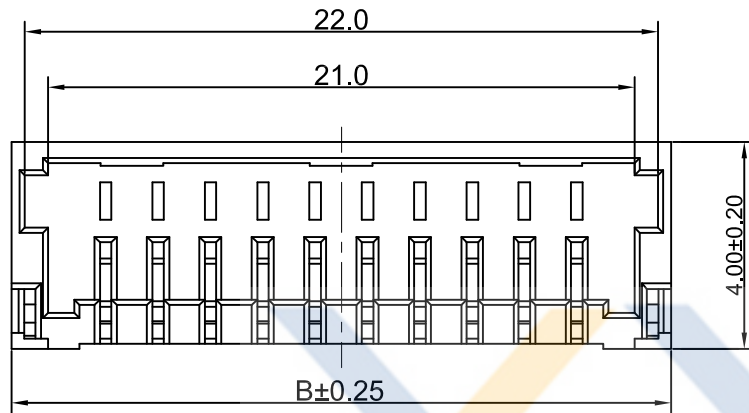


DRAWING FOR CUSTOMER



- SPEC.:
- Rated Voltage:50V AC,DC
 - Rated Current:1A AC,DC
 - Withstand Voltage:500V AC/minute
 - Contact Resistance:20mΩ max
 - Insulation Resistance:100MΩ min
 - Temperature Range:-20℃~+85℃
- Notes:
- Material: Nylon9T UL94v-0

KB9901-D XX X S R 2 A

Double row
Pin No.

T:TUBE 管装
R:REEL 卷装
P:PE 袋装

Version
Mold No.

R:Right Angle
V:Vertical

D:DIP
S: SMT

poles	Dimension	
	A	B
2*10	9.00	12.60
2*15	14.0	17.60
2*20	19.0	22.60
2*25	24.0	27.60

XYCO PRECISION CONNECTORS

TEL: 0769-8297 9981/2/3 <http://www.XYCO.com.cn>

DATE 日期		VER 版本	CHANGE HISTORY 變更歷史	CHANGED NAME 修改後料號	DRAWING 變更者	TOLERANCE 公差	DRAWING 設計者	Devin	KB9901-DXXXSR2A
2013-05-09		A		KB9901-DXXXSR2A	Devin	.X=±0.30 .XX=±0.20 .XXX=±0.10	CHECKED 審查	Thomas	PART NO. 料號
							APPROVED 核准	William	DWG NO. 圖號 PE4202A

UNIT 單位	mm	PRODUCT NAME 產品名稱
		88252 PH1.0mm SMT Right Angle Wafer