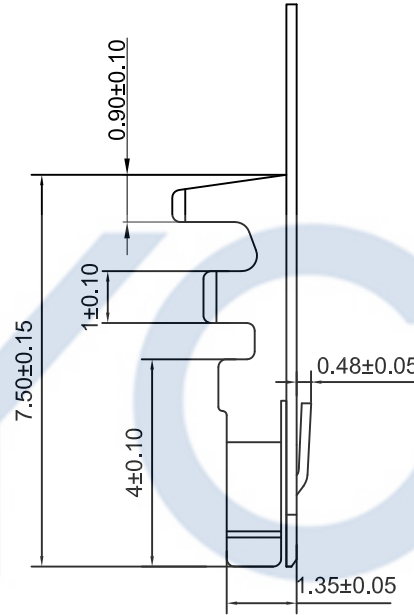
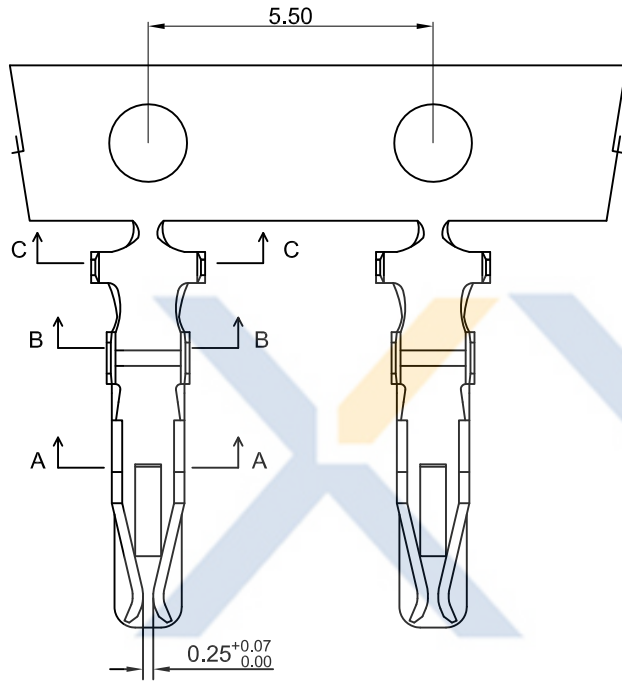


DRAWING FOR CUSTOMER



- SPEC.:
- Rated Voltage: 250V AC,DCm
 - Rated Current: 2A AC,DC
 - Withstand Voltage: 800V AC/minute
 - Contact Resistance: 20mΩ (MAX.)
 - Insulation Resistance: 1,000MΩ (MIN.)
 - Temperature Range: -25°C~+85°C
- Terminal:
- Material: Phosphor Bronze
 - Finish: Tin plated
 - Applicable wires: AWG#22-30

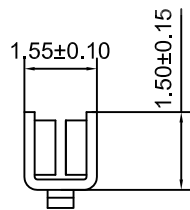
KB936-1 0 T 1 A

- 1: All plating
- 2: Half plating

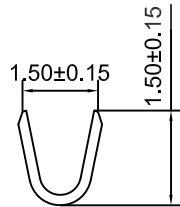
Plating

- 0: Tin-plat
- 1: Gold Plat 1u"
- 2: Gold Plat 3u"
- 3: Gold Plat 5u"

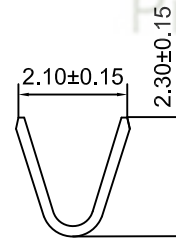
- Version
- Mold No.
- Terminal



SECTION A-A



SECTION B-B



SECTION C-C

XYCO PRECISION CONNECTORS

TEL: 0769-8297 9981/2/3 <http://www.XYCO.com.cn>

2014-09-19	A-1	修改夹口图纸尺寸	KB936-10T1A	John	TOLERANCE 公差	DRAWING 設計者	John	KB936-10T1A	
2014-09-19	A		KB936-10T1A	John	.X=±0.30 .XX=±0.20 .XXX=±0.10	CHECKED 審查	Thomas	PART NO. 料號	
DATE 日期	VER 版本	CHANGE HISTORY 變更歷史	CHANGED NAME 修改後料號	DRAWING 變更者		APPROVED 核准	William	DWG NO. 圖號	PE3802A



UNIT
單位

mm

PRODUCT NAME
產品名稱

JST PH2.0mm PHB Terminal