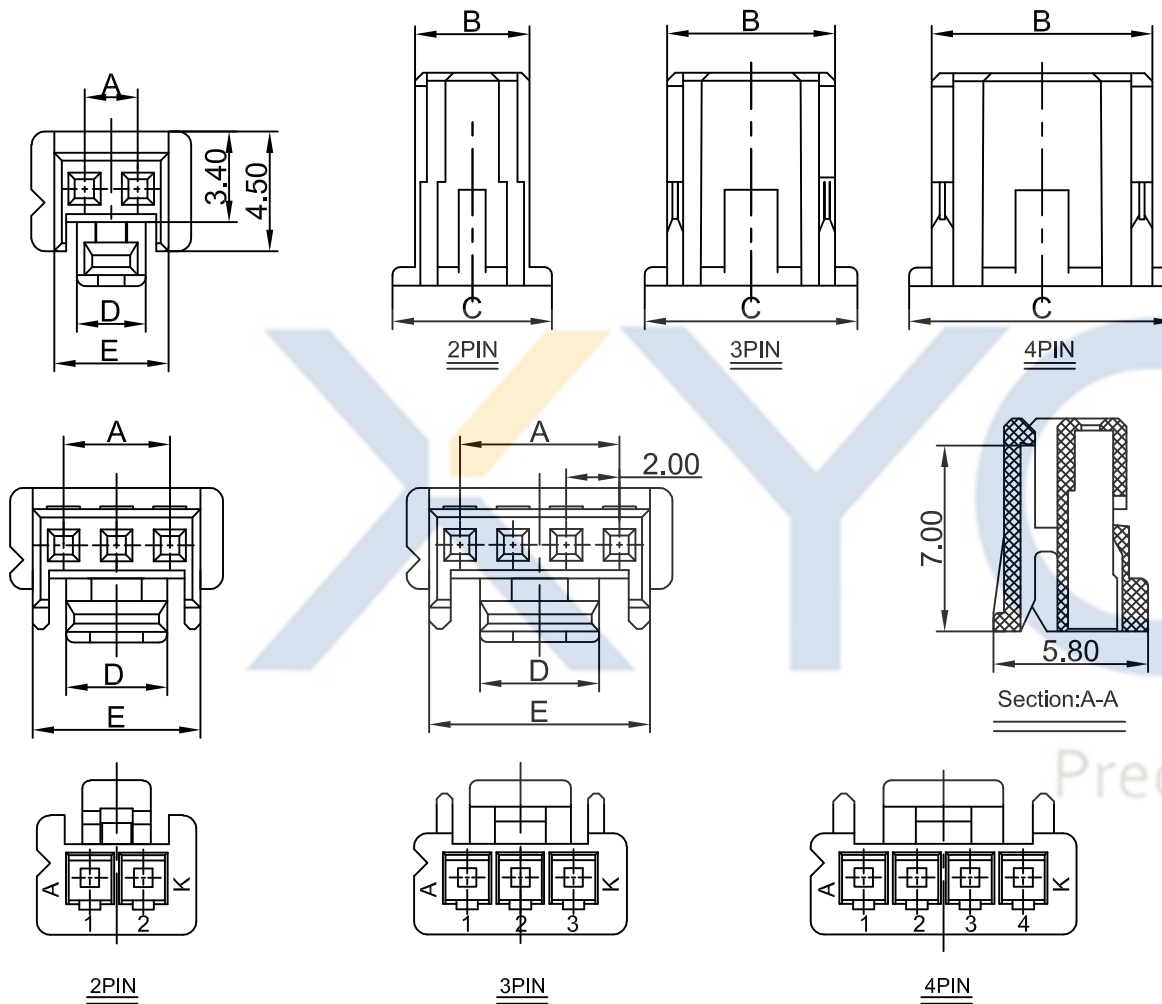


DRAWING FOR CUSTOMER

- SPEC.:**
 ●Rated Voltage:250V AC,DC
 ●Rated Current:3.0A AC,DC
 ●Withstand Voltage:800V AC/minute
 ●Contact Resistance:20 mΩ max
 ●Insulation Resistance:1000MΩ min
 ●Temperature Range:-25℃~+85℃

- Material:**
 ●Insulator:PA66 UL94V-0
 Color:White

KB934-XXHL6A
 Pin No. Version
 Housing Mold No.
 With Lock



Poles	Dimensions(mm)				
	A	B	C	D	E
02	2.0	4.3	6.0	2.6	4.4
03	4.0	6.3	8.0	3.8	6.4
04	6.0	8.3	10.0	4.5	8.4
05	8.0	10.3	12.0	4.5	7.9
06	10.0	12.3	14.0	4.5	7.9
07	12.0	14.3	16.0	4.5	7.9
08	14.0	16.3	18.0	4.5	7.9
09	16.0	18.3	20.0	4.5	7.9

XYCO 东莞市轩业电子科技有限公司
 TEL: 0769-8297 9981/2/3 <http://www.XYCO.com.cn>

2015-03-20	A		KB934-XXHL6A	Devin	TOLERANCE 公差	DRAWING 設計者	Devin	KB934-XXHL6A	
DATE 日期	VER 版本	CHANGE HISTORY 變更歷史	CHANGED NAME 修改後料號	DRAWING 變更者	.X=±0.30 .XX=±0.20 .XXX=±0.10	CHECKED 審查	Thomas	PART NO. 料號	UNIT 單位
						APPROVED 核准	William	DWG NO. 圖號	mm
1	2	3	4	5	6	7	8	9	

PRODUCT NAME 產品名稱	PA PH2.00mm Wire To Board Housing With Lock
----------------------	--