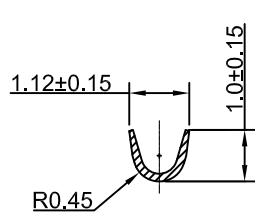
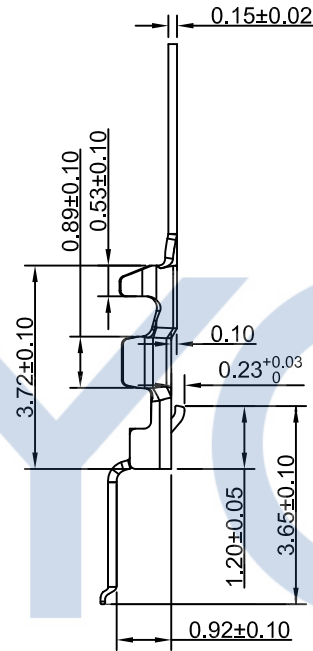
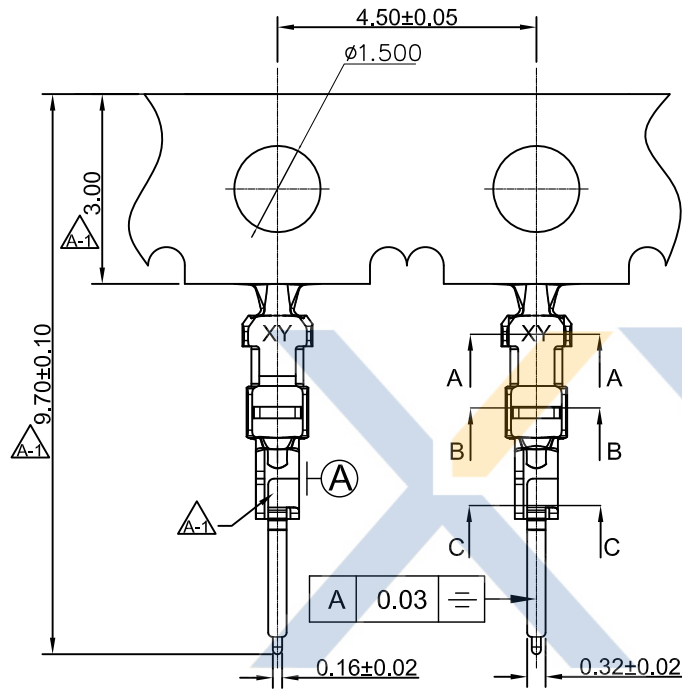
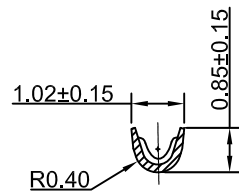


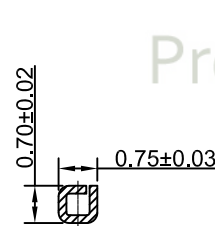
# DRAWING FOR CUSTOMER



SECTION A-A



SECTION B-B



SECTION C-C

■SPEC.:

- Rated Voltage:200V AC,DC
- Rated Current:0.8A AC,DC
- Withstand Voltage:500V AC/minute
- Contact Resistance:40mΩ max
- Insulation Resistance:100MΩ min
- Temperature Range:-40℃~+85℃
- Applicable wire:AWG#28~32
- Terminal
- Material:Phosphor Bronze C5191
- Finish:Gold-plated,over Nickel
- QTY.:15000PCS/Reel

KB904-XXTAXA

1:All plated  
2:Half plated

Plating

- 0: Tin-plat
- 1: Gold Plat1u"
- 2: Gold Plat3u"
- 3: Gold Plat5u"
- 8: Gold Plat8u"

Version

Mold No.

A:Lower contact  
B:Upper contact

Terminal

## XYCO PRECISION CONNECTORS

TEL: 0769-8297 9981/2/3 <http://www.XYCO.com.cn>

2016-11-12	A-1	优化尺寸, 优化产品	KB904-XXTAXA	譚火秦	TOLERANCE 公差	DRAWING 設計者	譚火秦	KB904-XXTAXA		UNIT 單位	mm	PRODUCT NAME 產品名稱	FI-RE PH0.5mm Wire To Board Lower contact Terminal
2014-08-13	A	新模端子, 优化改进	KB904-XXTAXA	譚火秦	.X=±0.30 .XX=±0.20 .XXX=±0.10	CHECKED 審查	彭太坤	PART NO. 料號					
DATE 日期	VER 版本	CHANGE HISTORY 變更歷史	CHANGED NAME 修改後料號	DRAWING 變更者		APPROVED 核准	譚宏	DWG NO. 圖號	PE2316A				