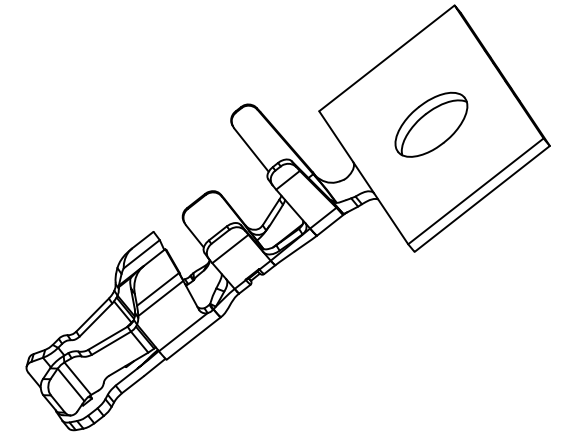
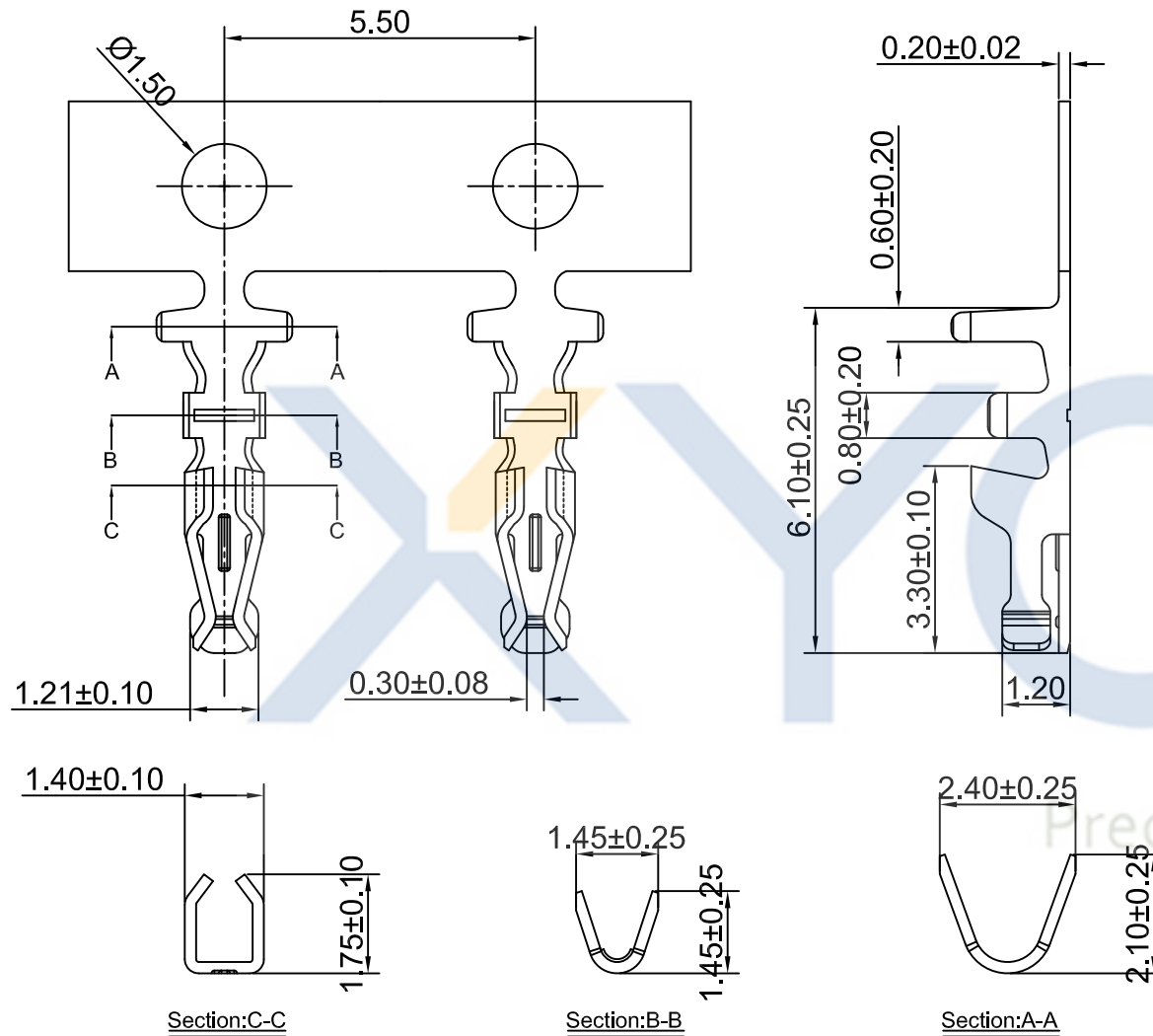


# DRAWING FOR CUSTOMER



- SPEC.:
- Voltage Rating:250V AC/DC
  - Current Rating:3A AC/DC
  - Dielectric Strength :1000V AC/minute
  - Insulation Resistance:1000MΩ min.
  - Temperature Range:-25°C to+85°C.
  - Contact Resistance:20mΩ max.
- Terminal:
- Applicable Wires:AWG#26~30
  - Material:Phosphor Bronze
  - Finish:Gold-Plated 15u" Min on Contact area;  
Over Nickel-Plated 50u" Min
  - Q'ty:15KPCS/Reel

XY20001-XX T 1 A

- 1:All plated
- 2:Half plated

- Plating
- 0: Tin-plat
  - 1: Gold Plat 1u"
  - 2: Gold Plat 3u"
  - 15: Gold Plat 15u"

Version  
 Mold No.  
 Terminal

**XYCO** 东莞市轩业电子科技有限公司  
 TEL: 0769-8297 9981/2/3 <http://www.XYCO.com.cn>

|            |           |                        |               |       |                 |                |         |                      |                                   |            |    |
|------------|-----------|------------------------|---------------|-------|-----------------|----------------|---------|----------------------|-----------------------------------|------------|----|
|            |           |                        |               |       | TOLERANCE<br>公差 | DRAWING<br>設計者 | Devin   | XY20001-XXT1A        |                                   |            |    |
| 2021-04-20 | A         | CHANGE HISTORY<br>變更歷史 | XY20001-XXT1A | Devin | .X=±0.30        | CHECKED<br>審查  | Thomas  | PART NO. 料號          |                                   |            |    |
| DATE<br>日期 | VER<br>版本 |                        |               |       | .XX=±0.20       | APPROVED<br>核准 | William | DWG NO.<br>圖號        | PE2104009A                        | UNIT<br>單位 | mm |
|            |           |                        |               |       | .XXX=±0.10      |                |         | PRODUCT NAME<br>產品名稱 | PH2.0mm Wire To Board<br>Terminal |            |    |

