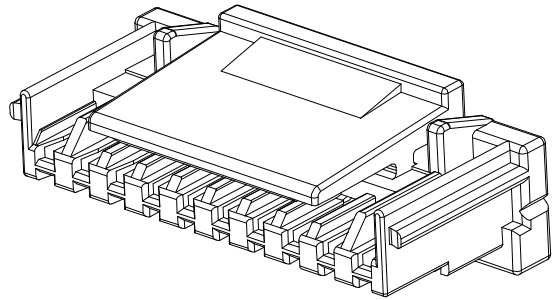
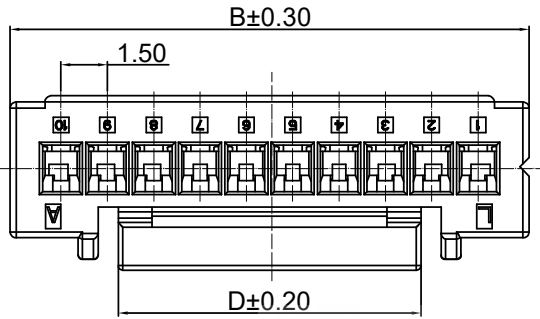
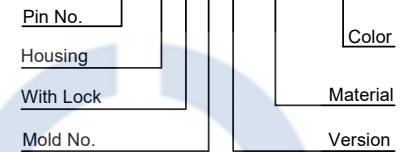


DRAWING FOR CUSTOMER

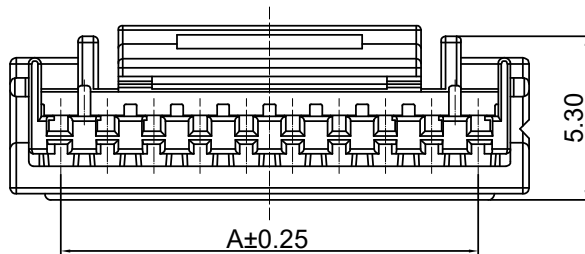
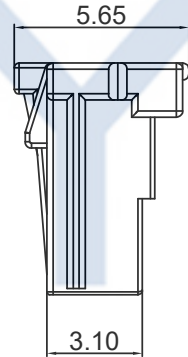
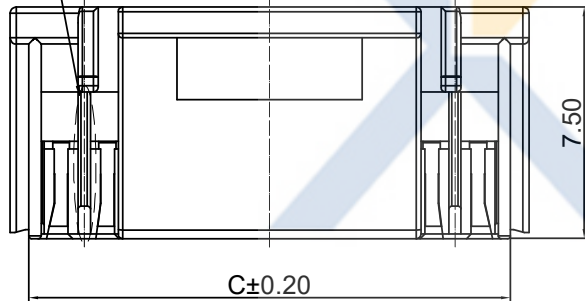
- SPEC.:
- Rated Voltage:100V AC,DC
 - Rated Current:2A AC,DC(AWG24#)
 - Withstand Voltage:500V AC/minute
 - Contact Resistance:40mΩ max
 - Insulation Resistance:500MΩ min
 - Temperature Range:-25℃~+85℃

- Material:
- Insulator:B1-PA66 UL94V-0
B4-PA66 UL94V-0 HF
 - Color:NAT-Natural

XY15001-X X H L 2 A -XX -NAT



10P以下
无此凸台



Poles	Dimensions(mm)			
	A	B	C	D
02	1.50	5.00	3.60	2.70
03	3.00	6.30	5.10	3.45
04	4.50	7.80	6.60	4.45
05	6.00	9.30	8.10	4.45
06	7.50	10.80	9.60	7.45
07	9.00	12.30	11.10	7.45
08	10.50	13.80	12.60	9.80
09	12.00	15.30	14.10	9.80
10	13.50	16.80	15.60	9.80
11	15.00	18.30	17.10	9.80
12	16.50	19.80	18.60	9.80
13	18.00	21.30	20.10	11.30
14	19.50	22.80	21.60	11.30
15	21.00	24.30	23.10	11.30
16	22.50	25.80	24.60	11.30

XYCO 东莞市轩业电子科技有限公司
TEL: 0769-8297 9981/2/3 <http://www.XYCO.com.cn>

2021-03-17	A		XY15001-XXHL2A-XX-NAT	Devin	TOLERANCE 公差	DRAWING 設計者	Devin	XY15001-XXHL2A-XX-NAT
DATE 日期	VER 版本	CHANGE HISTORY 變更歷史	CHANGED NAME 修改後料號	DRAWING 變更者	.X=±0.30 .XX=±0.20 .XXX=±0.10	CHECKED 審查	Thomas	PART NO. 料號
						APPROVED 核准	William	DWG NO. 圖號

UNIT 單位	mm	PRODUCT NAME 產品名稱	ZE PH1.50mm Wire To Board Housing With Lock