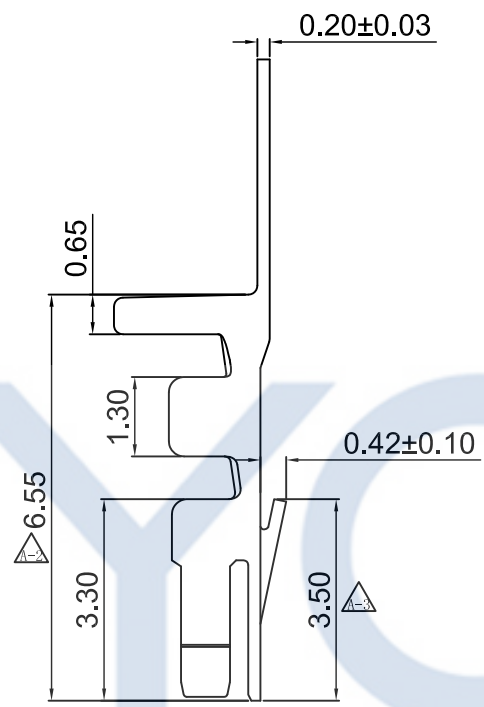
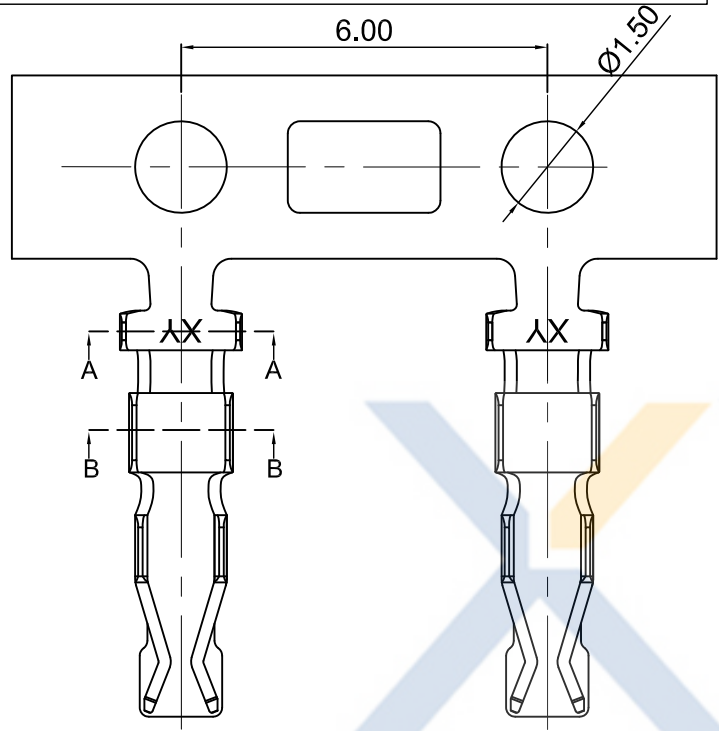


DRAWING FOR CUSTOMER

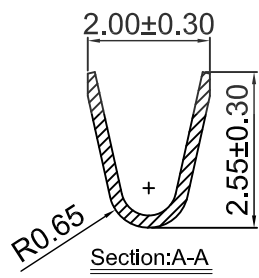
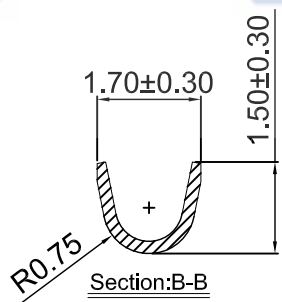
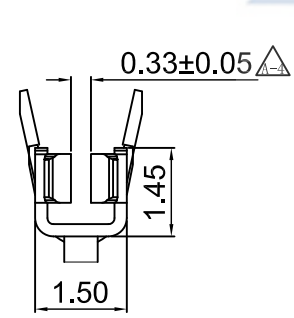


- SPEC.:
- Rated Voltage:250V AC,DC
 - Rated Current:3A AC,DC
 - Withstand Voltage:800V AC/minute
 - Contact Resistance:20mΩ max
 - Insulation Resistance:1000MΩ min
 - Temperature Range:-25℃~+85℃

- Terminal:
- Material:Phosphor Bronze C5191
 - Finish: Tin-plated,over Nickel
 - Applicable wire:AWG#26~30
 - QTY.:10KPCS/Reel

KB939-XXT1A

- 1:All plated
2:Half plated
- Version
- Mold No.
- Terminal



2018-12-03	A-4	调整夹口尺寸管控	KB939-XXT1A	Devin
2017-07-21	A-3	卡点尺寸调整为L=3.50mm, 优化产品	KB939-XXT1A	Devin
2017-04-15	A-2	端子总长缩短0.20mm, L=6.55mm, 优化产品	KB939-XXT1A	Devin
2013-05-27	A	新版发行	KB939-XXT1A	Devin
DATE 日期	VER 版本	CHANGE HISTORY 變更歷史	CHANGED NAME 修改後料號	DRAWING 變更者

TOLERANCE 公差	DRAWING 設計者	Devin	KB939-XXT1A
.X=±0.30 .XX=±0.20 .XXX=±0.10	CHECKED 審查	Thomas	
	APPROVED 核准	William	

XYCO 东莞市轩业电子科技有限公司
TEL: 0769-8297 9981/2/3 http://www.XYCO.com.cn

UNIT 單位	mm	PRODUCT NAME 產品名稱	PHC PH2.0mm Wire To Board Terminal
DWG NO. 圖號	PE2108A		