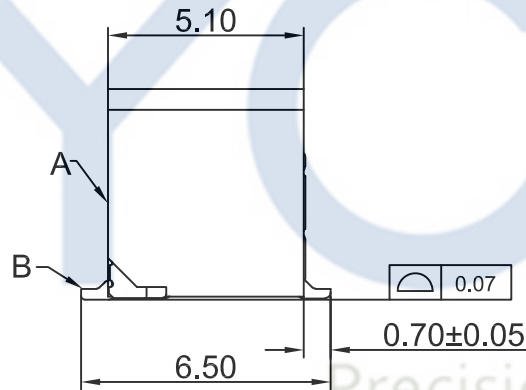
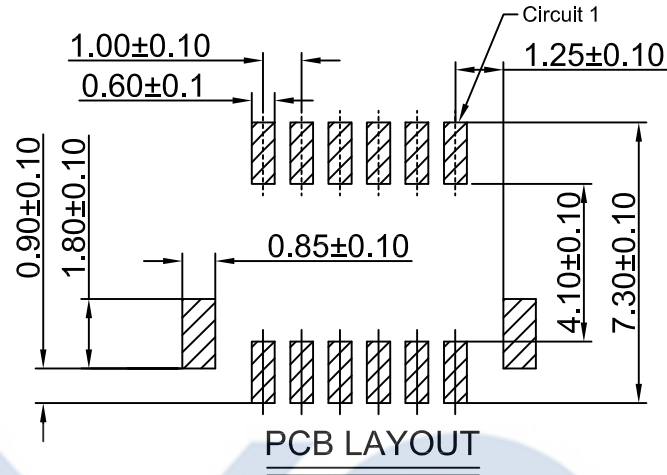
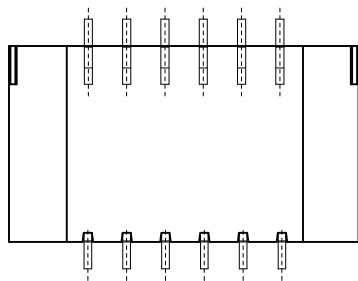
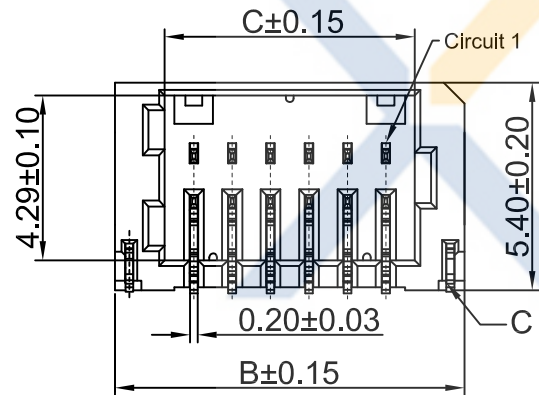
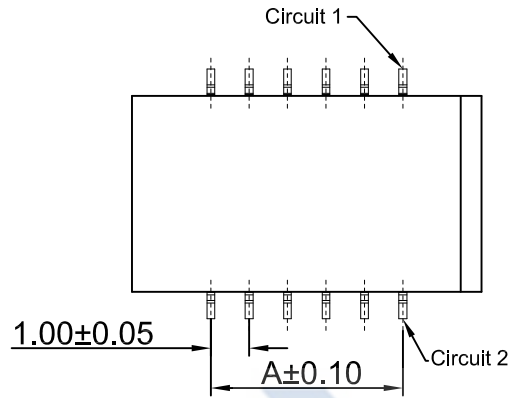


# DRAWING FOR CUSTOMER



- SPEC.:
- Rated Voltage: 50V AC,DC
  - Rated Current: 1A AC,DC
  - Withstand Voltage: 500V AC/minute
  - Contact Resistance: 20mΩ max
  - Insulation Resistance: 100MΩ min
  - Temperature Range: -25°C~+85°C

- Material:
- Insulator(A):PA6T UL94V-0  
Color: natural(Beige)
  - Contact Pin(B):Phosphor Bronze  
Finish:Gold-plated,over Nickel
  - Solder Tab(C):Brass  
Finish:Gold-plated,over Nickel

KB901-D XX X S R 5 A

Double row  
Pin No.

T: TUBE 管裝  
R: REEL 卷裝  
P: PE 袋裝

Version  
Mold No.  
R: Right Angle  
V: Vertical  
D: DIP  
S: SMT

Poles	Dimensions (mm)		
	A	B	C
2X05	4.0	8.10	5.50
2X06	5.0	9.10	6.50
2X10	9.0	13.10	10.50
2X15	14.0	18.10	15.50
2X20	19.0	23.10	20.50

**XYCO** 东莞市轩业电子科技有限公司  
TEL: 0769-8297 9981/2/3 <http://www.XYCO.com.cn>

DATE 日期	VER 版本	CHANGE HISTORY 變更歷史	CHANGED NAME 修改後料號	DRAWING 變更者	TOLERANCE 公差	DRAWING 設計者	Devin	KB901-DXXXSR5A
2019-12-05	A		KB901-DXXXSR5A	Devin	.X=±0.30 .XX=±0.20 .XXX=±0.10	CHECKED 審查	Thomas	PART NO. 料號
						APPROVED 核准	William	DWG NO. 圖號 PE191208A

UNIT 單位	mm	PRODUCT NAME 產品名稱	SHDR PH1.00mm Wire To Board SMT Right Angle Wafer