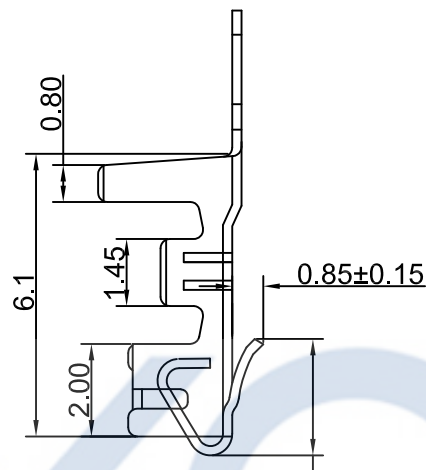
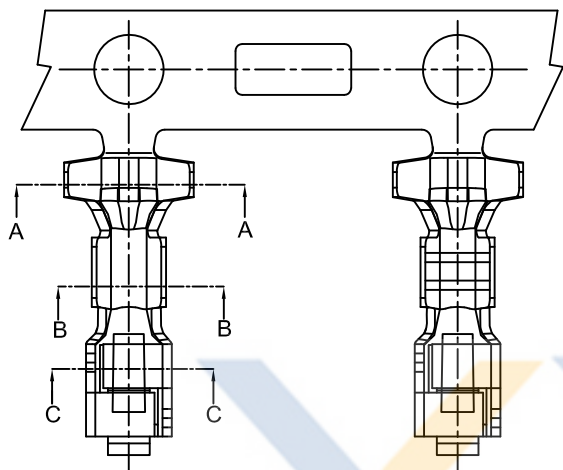


DRAWING FOR CUSTOMER

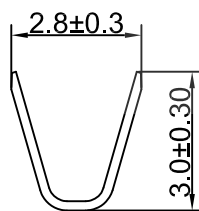


- SPEC.:
- Rated Voltage:250V AC,DC
 - Rated Current:3A AC,DC
 - Withstand Voltage:1000V AC/minute
 - Contact Resistance:40mΩ max
 - Insulation Resistance:1000MΩ min
 - Temperature Range:-25°C~+85°C

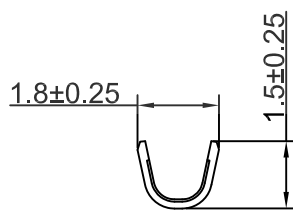
- Terminal:
- Material: Phosphor Bronze
 - Finish: Tin-plated,over Nickel
 - Applicable wire:AWG#22~#28
 - QTY.:10KPCS/Reel

KB952-X X T 3 A

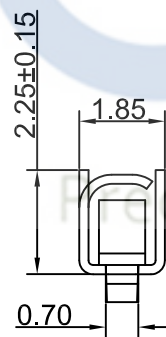
- | | |
|------------------|----------|
| 1: All plated | Version |
| 2: Half plated | |
| Plating | |
| 0: Tin-plat | Terminal |
| 1: Gold Plat1 u" | |
| 2: Gold Plat3 u" | |
| 3: Gold Plat5 u" | Mold No. |



Section:A-A



Section:B-B



Section:C-C

XYCO 东莞市轩业电子科技有限公司
 TEL: 0769-8297 9981/2/3 <http://www.XYCO.com.cn>

2013-09-06		A	CHANGE HISTORY 變更歷史	KB952-10T3A	Devin	TOLERANCE 公差	DRAWING 設計者	Devin	KB952-XXT3A		UNIT 單位		PRODUCT NAME 產品名稱	XH PH2.50mm Wire To Board Terminal
DATE 日期	VER 版本	CHANGED NAME 修改後料號				DRAWING 變更者	.X=±0.30 .XX=±0.20 .XXX=±0.10	CHECKED 審查	Thomas	PART NO. 料號	mm			
							APPROVED 核准	William	DWG NO. 圖號	PE4801A	⊕			