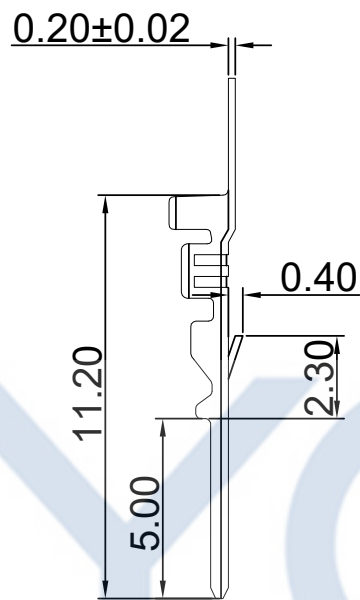
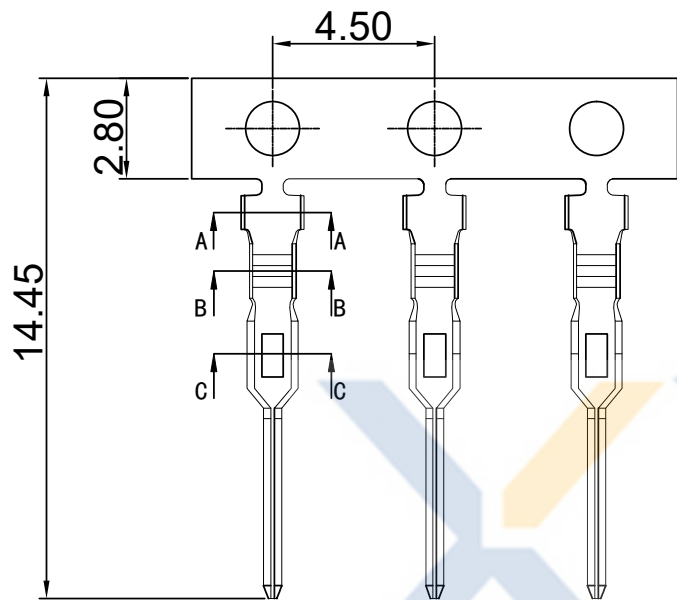


DRAWING FOR CUSTOMER



■SPEC.:

- Rated Voltage:100V AC,DC
- Rated Current:2A AC,DC
- Withstand Voltage:800V AC/minute
- Contact Resistance:20mΩ max
- Insulation Resistance:1000MΩ min
- Temperature Range:-25°C~+85°C

■Terminal:

- Material:Phosphor Bronze
- Finish:Tin/Gold-plated ,over Nickel
- Applicable wire:AWG#26~30
- QTY.:16KPCS/Reel

KB933-X X T 6 A-F1

- 1:All plated
- 2:Half plated

Plating

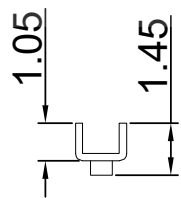
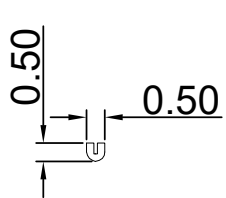
- 0: Tin-plat
- 1: Gold Plat1u"
- 2: Gold Plat3u"
- 3: Gold Plat5u"

Version

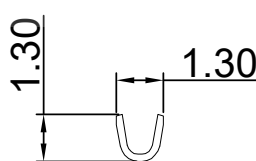
Version

Mold No.

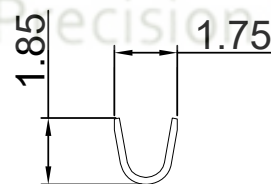
Terminal



Section:C-C



Section:B-B



Section:A-A

XYCO 东莞市轩业电子科技有限公司
TEL: 0769-8297 9981/2/3 <http://www.XYCO.com.cn>

2016-08-17		A	CHANGE HISTORY 變更歷史	KB933-XXT6A-F1	Devin	TOLERANCE 公差	DRAWING 設計者	Devin	KB933-XXT6A-F1		UNIT 單位		PRODUCT NAME 產品名稱	PHR PH2.00mm Wire To Wire Terminal-Male
DATE 日期	VER 版本	CHECKED 審查				Thomas	PART NO. 料號	mm						
		APPROVED 核准				William	DWG NO. 圖號	PE4604A						