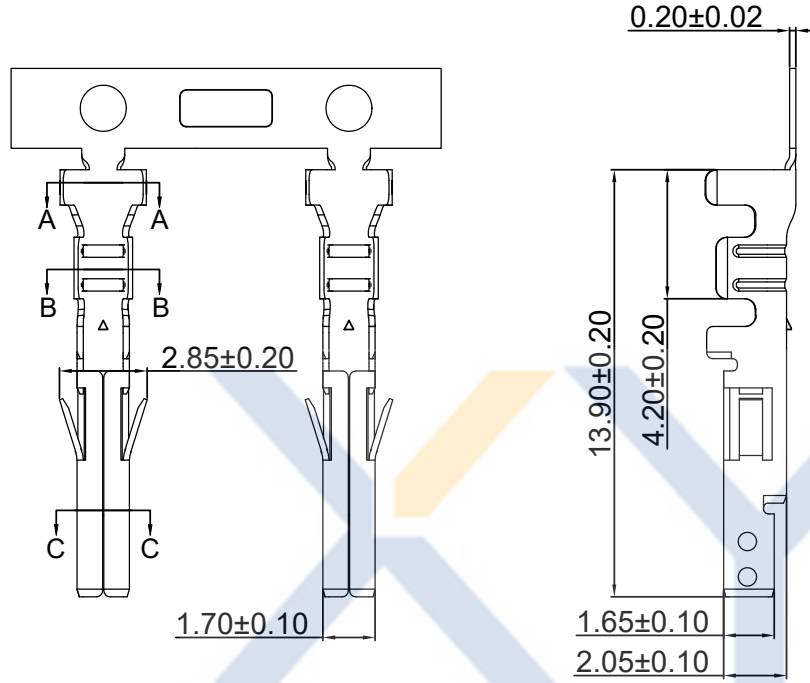
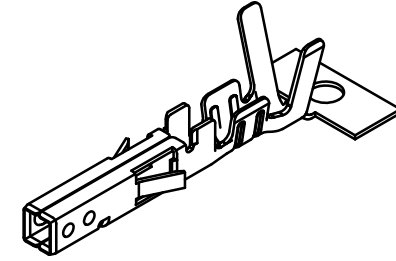
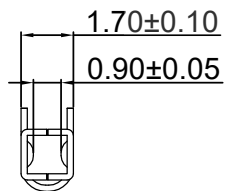


DRAWING FOR CUSTOMER

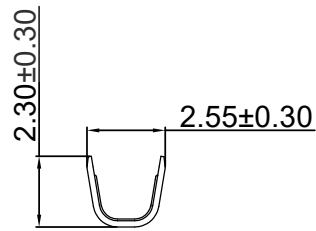


- SPEC.:
- Rated Voltage:250V AC,DC
 - Rated Current:7A AC,DC
 - Withstand Voltage:1500V AC/minute
 - Insulation Resistance:1000MΩ min
 - Contant Resistance:15mΩ Max.
 - Temperature Range:-25°C~+85°C

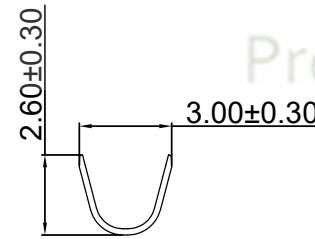
- Terminal:
- Material:T-Brass,TP-Phosphor Bronze
 - Finish: Tin-plated,over Nickel
 - Applicable wire:AWG#20~22
 - QTY.:10KPCS/Reel



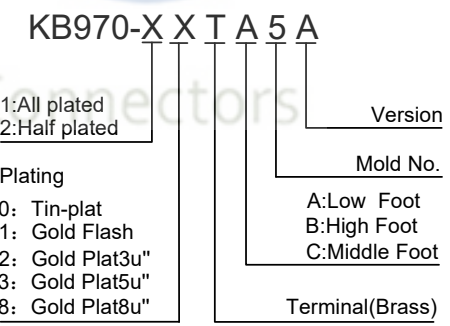
Section:C-C



Section:B-B



Section:A-A



XYCO 东莞市轩业电子科技有限公司
 TEL: 0769-8297 9981/2/3 <http://www.XYCO.com.cn>

2013-07-30		A	KB970-XXTA5A		Devin	TOLERANCE 公差	DRAWING 设计者	Devin	KB970-XXTA5A		UNIT		mm		PRODUCT NAME		5557 PH4.2mm Low Foot Terminal-Female	
DATE 日期	VER 版本	CHANGE HISTORY 变更历史	CHANGED NAME 修改后料号	DRAWING 变更者	TOLERANCE .X=±0.30 .XX=±0.20 .XXX=±0.10	CHECKED 审查	APPROVED 核准	Thomas	William	PART NO. 料号	DWG NO. 图号	PE191209A	PRODUCT NAME 产品名称					