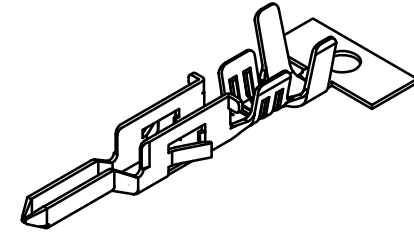
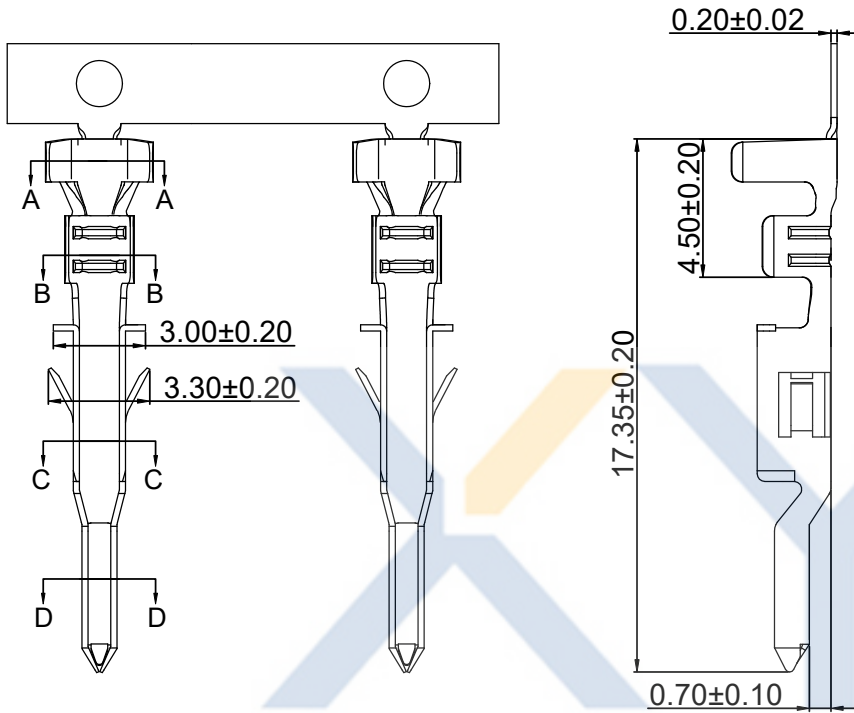


DRAWING FOR CUSTOMER

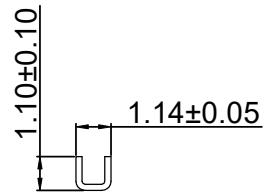


■SPEC.:

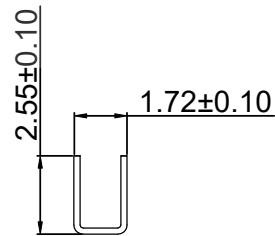
- Rated Voltage:250V AC,DC
- Rated Current:7A AC,DC
- Withstand Voltage:1500V AC/minute
- Insulation Resistance:1000MΩ min
- Contant Resistance:15mΩ Max.
- Temperature Range:-25℃~+85℃

■Terminal:

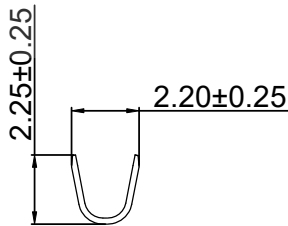
- Material:T-Brass,TP-Phosphor Bronze
- Finish: Tin-plated,over Nickel
- Applicable wire:AWG#20~22
- QTY.:7KPCS/Reel



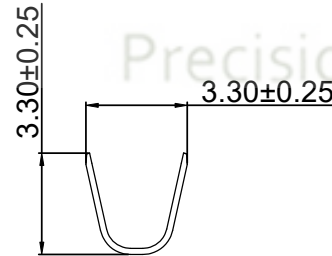
Section:D-D



Section:C-C



Section:B-B



Section:A-A

KB971-XXTA5A

- 1:All plated
- 2:Half plated

Plating

- 0: Tin-plat
- 1: Gold Flash
- 2: Gold Plat3u"
- 3: Gold Plat5u"
- 8: Gold Plat8u"

Version

Mold No.

Terminal(Brass)

- A:Low Foot
- B:High Foot
- C:Middle Foot

XYCO 东莞市轩业电子科技有限公司
TEL: 0769-8297 9981/2/3 <http://www.XYCO.com.cn>

				TOLERANCE 公差	DRAWING 设计者	Devin	KB971-XXTA5A	
2013-07-30	A	CHANGE HISTORY 变更历史	KB971-XXTA5A	Devin	CHECKED 审查	Thomas	PART NO. 料号	
DATE 日期	VER 版本		CHANGED NAME 修改后料号	DRAWING 变更者	APPROVED 核准	William	DWG NO. 图号	PE191215A
1	2		3	4	5	6	7	8

UNIT 单位	mm	PRODUCT NAME 产品名称	5559 PH4.2mm Low Foot Terminal-Female
------------	----	----------------------	--