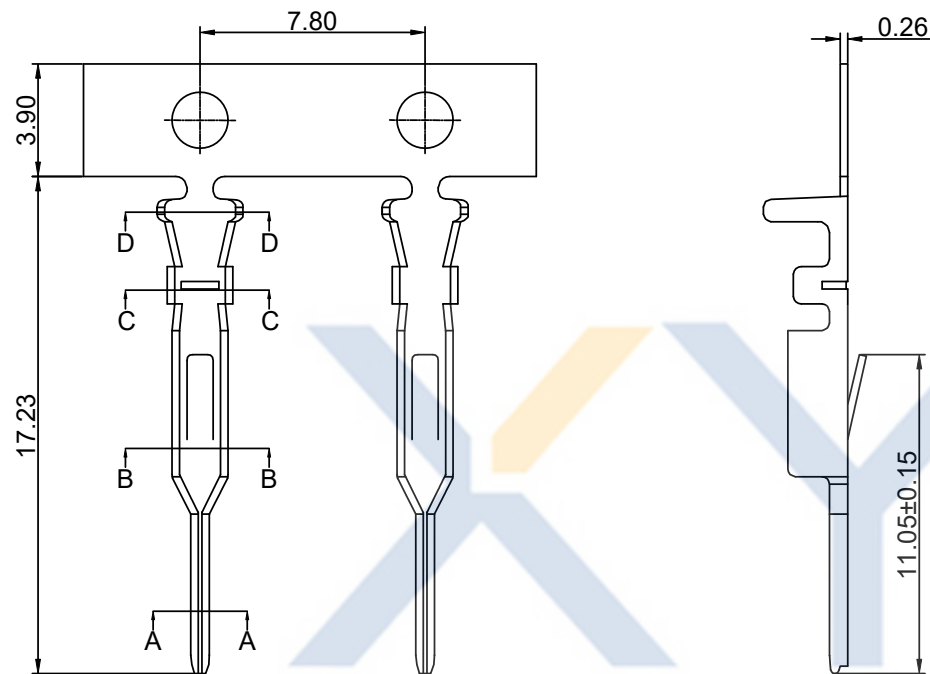


DRAWING FOR CUSTOMER



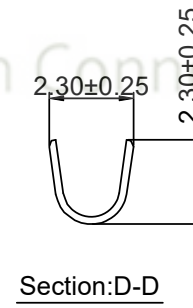
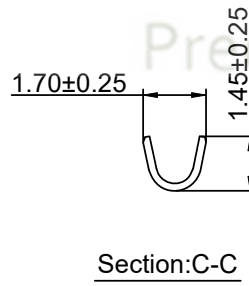
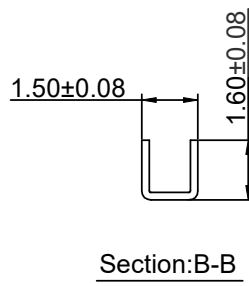
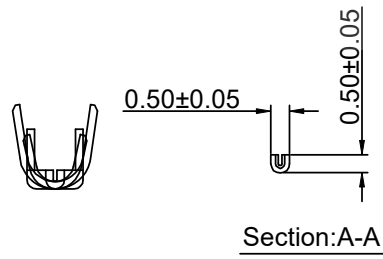
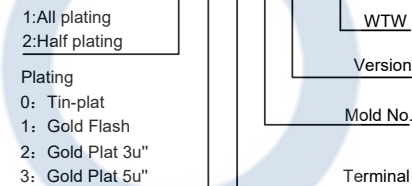
■SPEC.:

- Rated Voltage: 250V AC,DCm
- Rated Current: 2A AC,DC
- Withstand Voltage: 800V AC/minute
- Contact Resistance: 20mΩ max
- Insulation Resistance: 1,000MΩ min
- Temperature Range: -25°C~+85°C

■Terminal:

- Material:Phosphor Bronze
- Finish: Tin plated;over Nickel
- Applicable wire:AWG#26-30
- QTY.:10KPCS/Reel

KB936-XXT6A-F1



XYCO 东莞市轩业电子科技有限公司
TEL: 0769-8297 9981/2/3 <http://www.XYCO.com.cn>

				TOLERANCE 公差		DRAWING 設計者 Devin		KB936-XXT6A-F1		UNIT 單位 mm		PRODUCT NAME 產品名稱		PHB PH2.0mm Wire To Wire Terminal-Male	
2015-12-05	A	CHANGE HISTORY 變更歷史	KB936-XXT6A-F1	Devin	.X=±0.30	CHECKED 審查	Thomas	PART NO. 料號		mm	PRODUCT NAME 產品名稱		PHB PH2.0mm Wire To Wire Terminal-Male		
DATE 日期	VER 版本				.XX=±0.20	APPROVED 核准	William	DWG NO. 圖號	PE230702A						
					.XXX=±0.10										