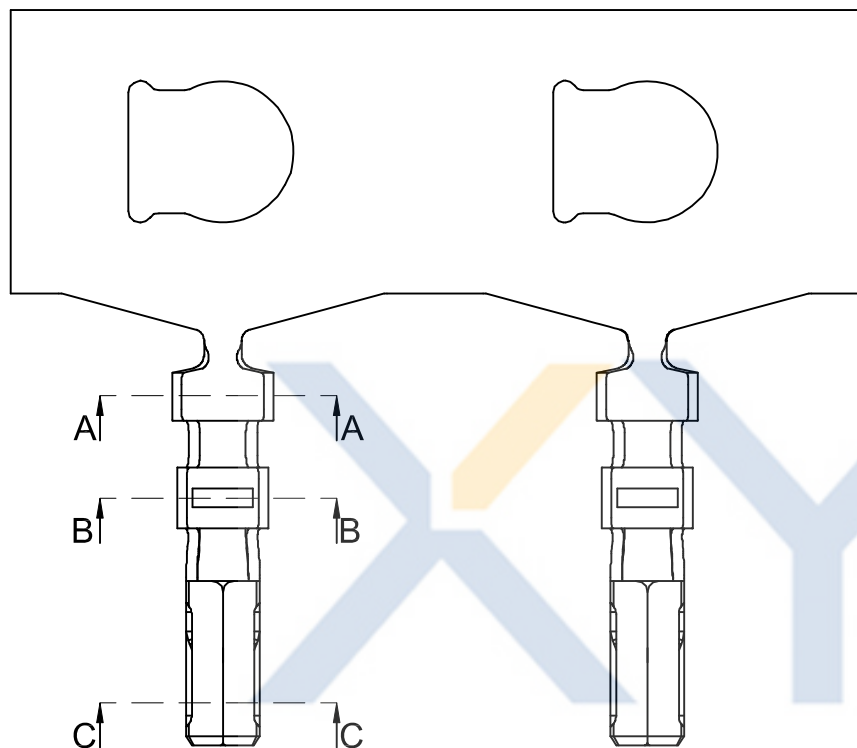


DRAWING OF FINISHED PRODUCT



- SPEC.:
- Rated Voltage:50V AC,DC
 - Rated Current:1A AC,DC
 - Withstand Voltage:250V AC/minute
 - Contact Resistance:20mΩ max
 - Insulation Resistance:100MΩ min
 - Temperature Range:-25℃~+85℃

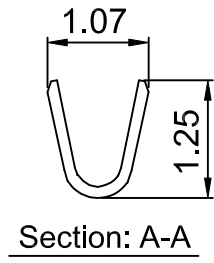
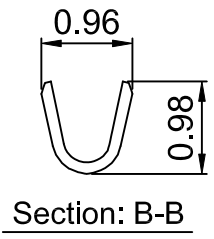
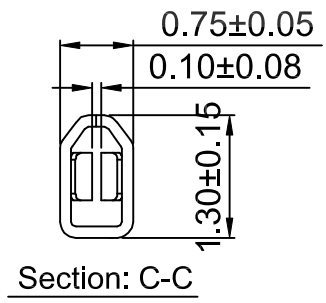
- Terminal:
- Material:Phosphor Bronze
 - Finish:Tin-plated,over Nickel
 - Applicable wire:AWG#28~32
 - QTY.:15KPCS/Reel

KB9907-XXXT3A

1:All plated
2:Half plated

Plating
0: Tin-plated
1: Gold Flash
2: Gold Plated3u"
3: Gold Plated5u"

Version
Mold No.
Terminal



XYCO 东莞市轩业电子科技有限公司
TEL: 0769-8297 9981/2/3 <http://www.XYCO.com.cn>

2017-09-15		A	CHANGE HISTORY 變更歷史	KB9907-XXT3A	Devin	TOLERANCE 公差	DRAWING 設計者	Devin	KB9907-XXT3A		UNIT 單位	mm	PRODUCT NAME 產品名稱	501193 PH1.00mm Wire To Board Terminal
DATE 日期	VER 版本	CHANGED NAME 修改後料號				DRAWING 變更者	.X=±0.30 .XX=±0.20 .XXX=±0.10	CHECKED 審查	Thomas	PART NO. 料號				
1	2	3	4	5	6	7	8	9						