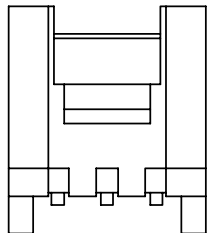
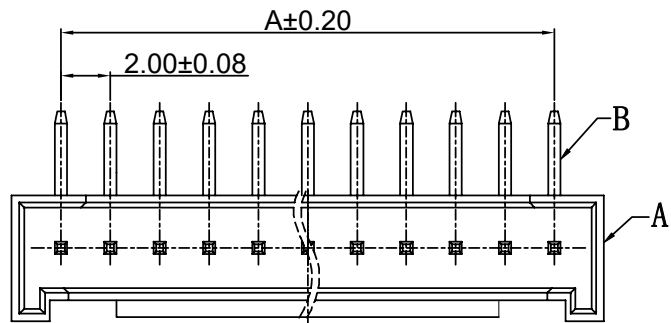
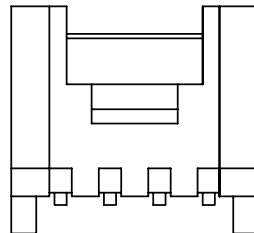


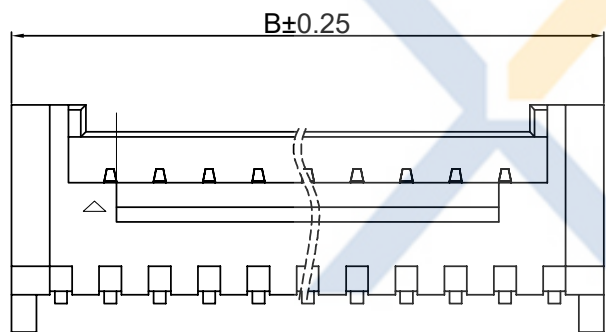
DRAWING FOR CUSTOMER



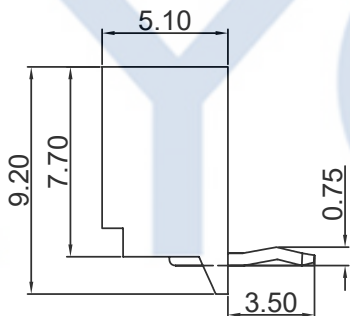
3P示意图



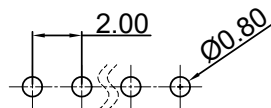
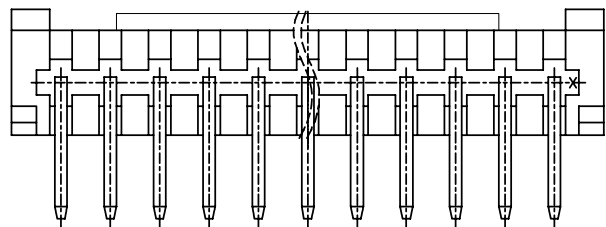
4P示意图



5~16P示意图



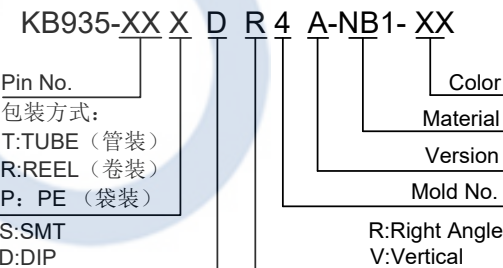
2P示意图



Recommended P.C.B Layout(Top Side)
PCB Thickness=1.20mm
(Tolerance=±0.05)

- SPEC:
 - Rated Voltage:250V AC,DCm
 - Rated Current: 3A AC,DC
 - Withstand Voltage: 800V AC/minute
 - Contact Resistance: 20mΩ max
 - Insulation Resistance: 1000MΩ min
 - Temperature Range: -25°C~+85°C

- Material :
 - Insulator(A) : NB1-PA66 UL94V-0
Color:WH-White,BK-Black
 - Contact Pin(B):Brass
Finish:Tin plated;over Nickel



Poles	Dimensions(mm)		Poles	Dimensions(mm)	
	A	B		A	B
2P	2.00	6.00	10P	18.00	22.00
3P	4.00	8.00	11P	20.00	24.00
4P	6.00	10.00	12P	22.00	26.00
5P	8.00	12.00	13P	24.00	28.00
6P	10.00	14.00	14P	26.00	30.00
7P	12.00	16.00	15P	28.00	32.00
8P	14.00	18.00	16P	30.00	34.00
9P	16.00	20.00			

XYCO 东莞市轩业电子科技有限公司
TEL: 0769-8297 9981/2/3 <http://www.XYCO.com.cn>

2017-04-06		B		KB935-XXXDR4A-NB1-XX		Devin		TOLERANCE 公差		DRAWING 設計者		Devin		KB935-XXXDR4A-NB1-XX			
DATE 日期	VER 版本	CHANGE HISTORY 變更歷史		CHANGED NAME 修改後料號		DRAWING 變更者		.X=±0.30	.XX=±0.20	.XXX=±0.10	CHECKED 審查	Thomas	PART NO. 料號		UNIT 單位		
											APPROVED 核准	William	DWG NO. 圖號	PE1706012A	mm	PRODUCT NAME 產品名稱	PHS PH2.0mm Wire To Board

UNIT 單位		mm	PRODUCT NAME 產品名稱		PHS PH2.0mm Wire To Board
					DIP Right Angle Wafer