

DRAWING FOR CUSTOMER

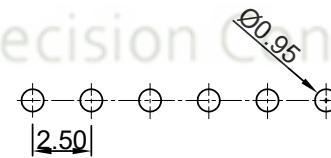
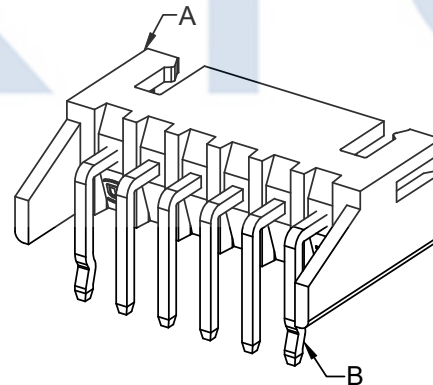
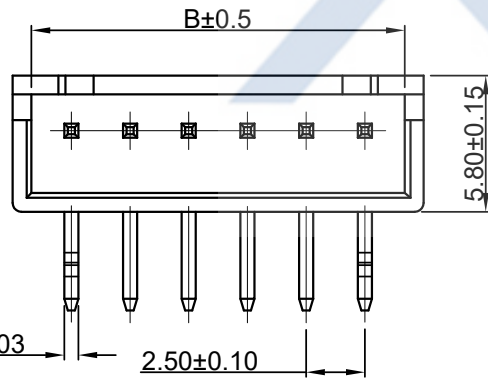
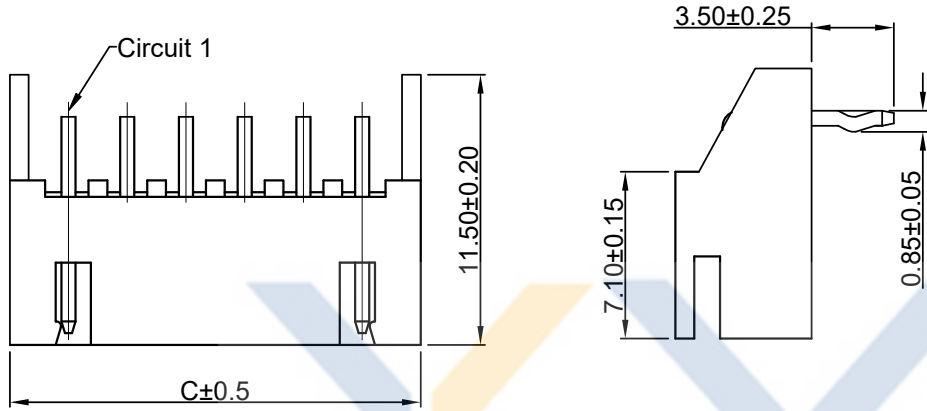
- SPEC.:
- Rated Voltage:250V AC,DC
 - Rated Current:3A AC,DC
 - Withstand Voltage:1000V AC/minute
 - Contact Resistance:20mΩ max
 - Insulation Resistance:1000MΩ min
 - Temperature Range:-25℃~+85℃

- Material:
- Insulator(A):B1-PA66 UL94V-0;
NB1-PA66 UL94V-0 HF.
Color:WH-White
 - Contact Pin(B):Brass
Finish:Tin plated;over Nickel

KB952-XX X D R 6 A-XX- WH

Pin No. _____ Color _____
 包裝方式: _____ Material _____
 T:TUBE (管裝) _____ Version _____
 R:REEL (卷裝) _____ Mold No. _____
 P: PE (袋裝) _____ R:Right Angle _____
 S:SMT _____ V:Vertical _____
 D:DIP _____

Poles	Dimensions (mm)		
	A	B	C
02	2.50	6.00	7.50
03	5.00	8.50	10.00
04	7.50	11.00	12.50
05	10.00	13.50	15.00
06	12.50	16.00	17.50
07	15.00	18.50	20.00
08	17.50	21.00	22.50
09	20.00	23.50	25.00
10	22.50	26.00	27.50
11	25.00	28.50	30.00
12	27.50	31.00	32.50
13	30.00	33.50	35.00
14	32.50	36.00	37.50
15	35.00	38.50	40.00
16	37.50	41.00	42.50
17	40.00	43.50	45.00
18	42.50	46.00	47.50



P.C.Board Layout
 General Tolerance:±0.05

DATE 日期	VER 版本	CHANGE HISTORY 變更歷史	CHANGED NAME 修改後料號	DRAWING 變更者	TOLERANCE 公差	DRAWING 設計者	Devin	KB952-XXXDR6A-XX-WH
2016-11-18	A		KB952-XXXDR6A-XX-WH	Devin	.X=±0.30 .XX=±0.20 .XXX=±0.10	CHECKED 審查	Thomas	PART NO. 料號
						APPROVED 核准	William	DWG NO. 圖號

XYCO 东莞市轩业电子科技有限公司
 TEL: 0769-8297 9981/2/3 <http://www.XYCO.com.cn>

UNIT 單位	mm	PRODUCT NAME 產品名稱	XH PH2.50mm Wire To Board DIP Right Angle Wafer
------------	----	----------------------	--