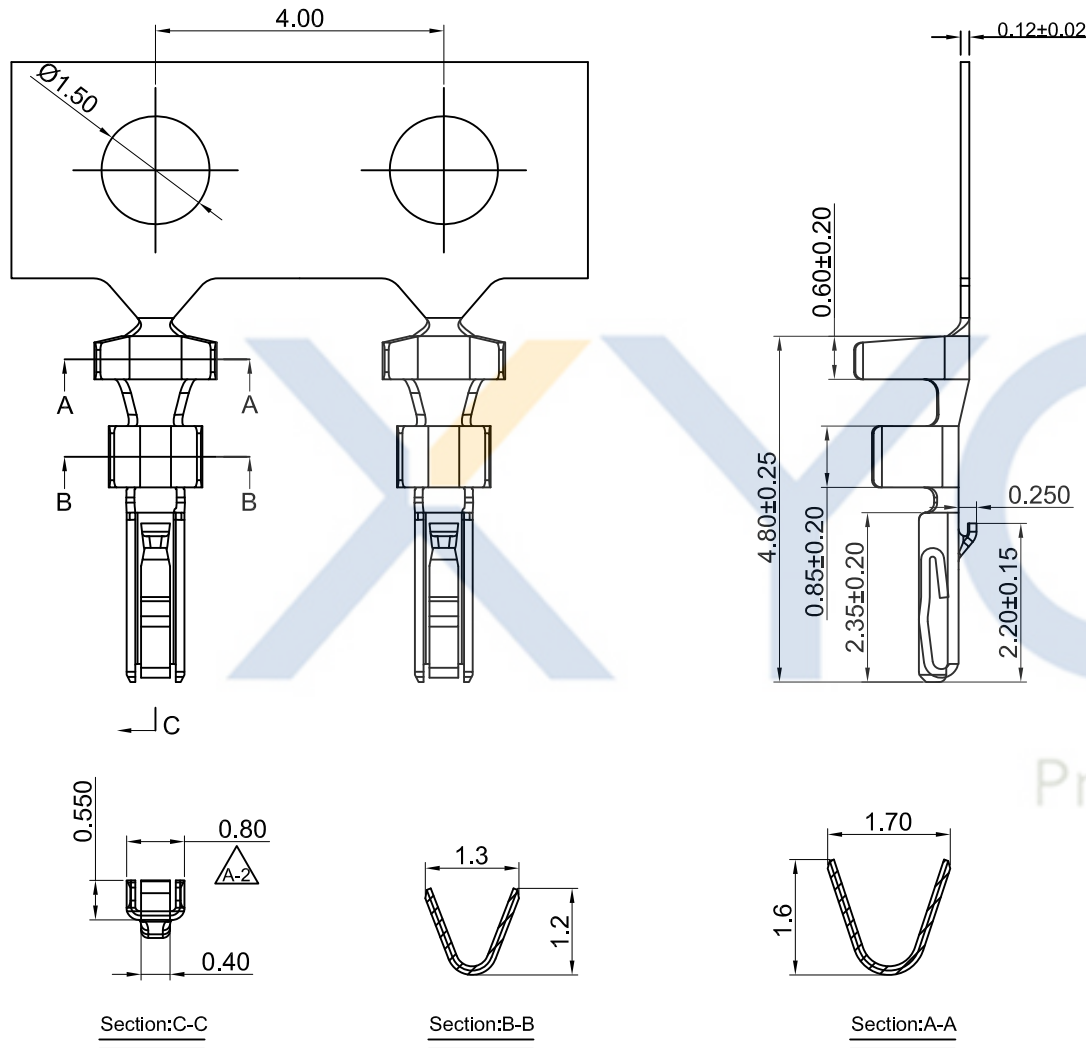


DRAWING FOR CUSTOMER



■SPEC.:

- Rated Voltage:50V AC,DC
- Rated Current:1A AC,DC
- Withstand Voltage:500V AC/minute
- Contact Resistance:30mΩ max
- Insulation Resistance:100MΩ min
- Temperature Range:-25°C~+85°C

■Terminal:

- Material:Phosphor Bronze
- Finish:Gold/Tin-plated,over Nickel
- Applicable wire:AWG#26~32
- QTY.:20KPCS/Reel

KB918-XXT1A

- 1:All plated
- 2:Half plated

Version

Plating

- 0: Tin-plat
- 1: Gold Flash
- 2: Gold Plated3u"
- 3: Gold Plated5u"

Mold No.

Terminal

2021-01-29	A-2	端子尺寸优化 $\triangle A-2$	KB918-XXT1A	Devin
2020-07-25	A-1	调整实物与图纸一致	KB918-XXT1A	Devin
2017-11-20	A	新模端子	KB918-XXT1A	Devin
DATE 日期	VER 版本	CHANGE HISTORY 變更歷史	CHANGED NAME 修改後料號	DRAWING 變更者

TOLERANCE 公差	DRAWING 設計者	Devin	KB918-XXT1A	
.X=±0.30 .XX=±0.20 .XXX=±0.10	CHECKED 審查	Thomas	PART NO. 料號	
APPROVED 核准	William	DWG NO. 圖號	PE1712010A	

XYCO 东莞市轩业电子科技有限公司		TEL: 0769-8297 9981/2/3 http://www.XYCO.com.cn	
UNIT 單位	mm	PRODUCT NAME 產品名稱	GHR1.25mm Wire To Board Terminal