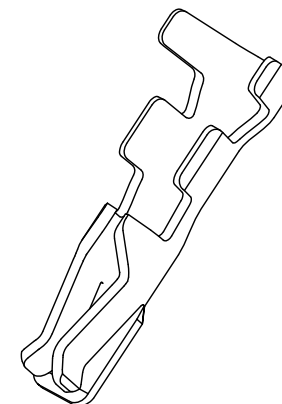
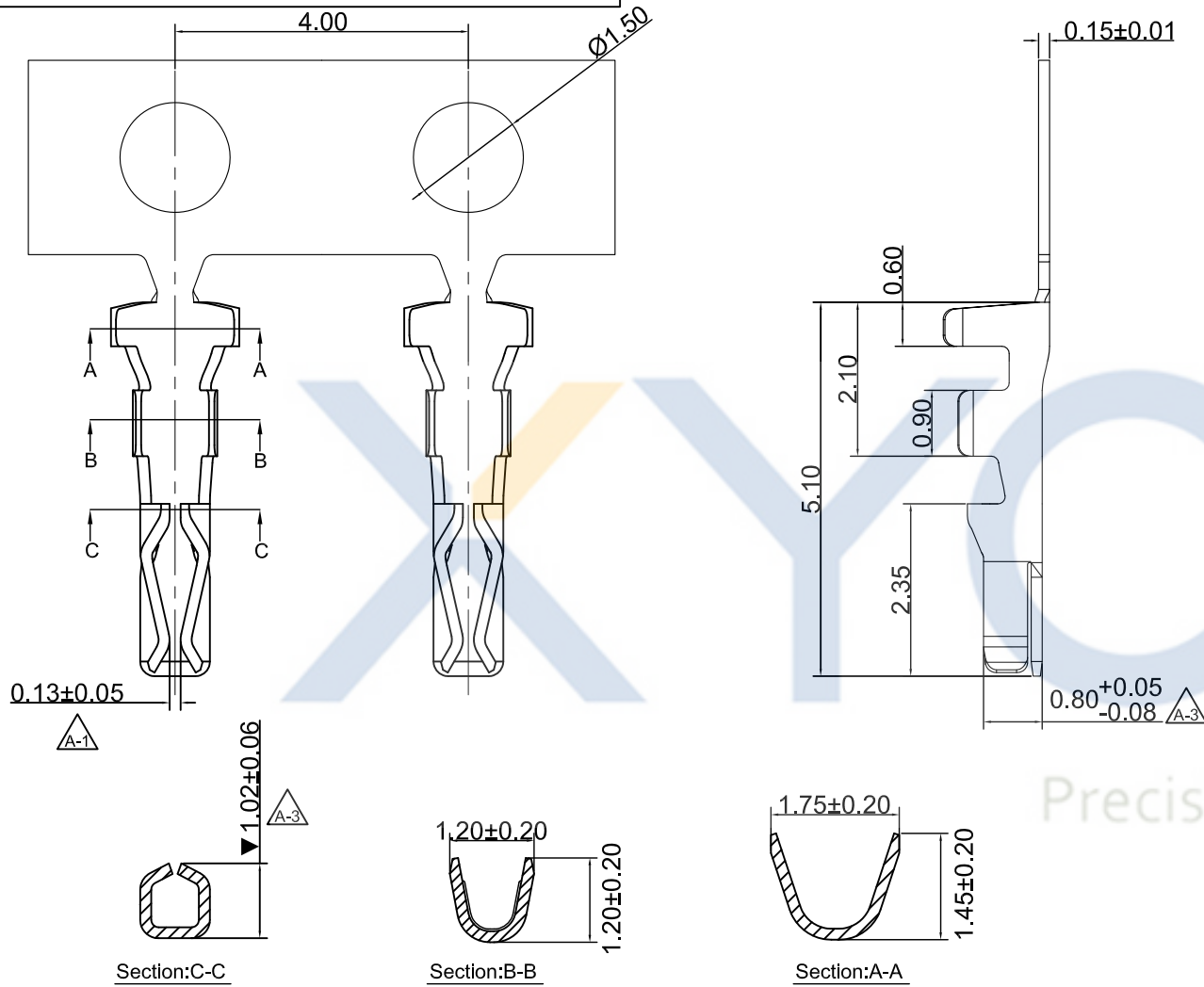


# DRAWING FOR CUSTOMER



- SPEC.:
- Voltage Rating:200V AC/DC
  - Current Rating:1A AC/DC
  - Withstanding Voltage:500V AC/minute
  - Contact Resistance:40mΩ max
  - Insulation Resistance:100MΩ min
  - Temperature Range:-25°C~ +85°C

- Terminal:
- Material:Phosphor Bronze
  - Finish:Tin/Gold-Plated,over Nickel
  - Applicable wire:AWG#28~32
  - QTY.:15KPCS/Reel

KB913-X X T 1 A

- 1:All plated
- 2:Half plated

Plating

- 0: Tin-plat
- 1: Gold Flash
- 2: Gold Plat 3u"
- 3: Gold Plat 5u"

Version  
 Mold No.  
 Terminal

2021-05-31	A-3	尺寸优化		KB913-XXT1A	Devin
2021-03-01	A-2	卡点优化		KB913-XXT1A	Devin
2018-12-03	A-1	调整夹口尺寸管控		KB913-XXT1A	Devin
2011-03-11	A	新版发行		KB913-XXT1A	Devin
DATE 日期	VER 版本	CHANGE HISTORY 變更歷史	CHANGED NAME 修改後料號	DRAWING 變更者	

TOLERANCE 公差	DRAWING 設計者	Devin	KB913-XXT1A	
.X=±0.30 .XX=±0.20 .XXX=±0.10	CHECKED 審查	Thomas	PART NO. 料號	
	APPROVED 核准	William	DWG NO. 圖號	PE1808012A

**XYCO** 东莞市轩业电子科技有限公司  
 TEL: 0769-8297 9981/2/3 http://www.XYCO.com.cn

UNIT 單位	mm	PRODUCT NAME 產品名稱	FI-S PH1.25mm Wire To Board Terminal
------------	----	----------------------	---