

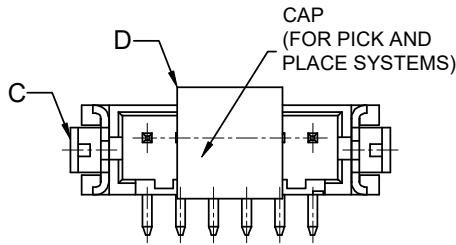
# DRAWING FOR CUSTOMER

KB911- XX X S R 5 A -P3-BGE

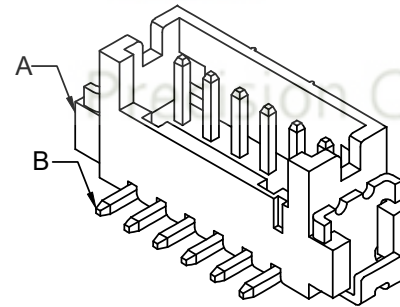
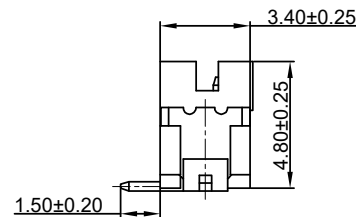
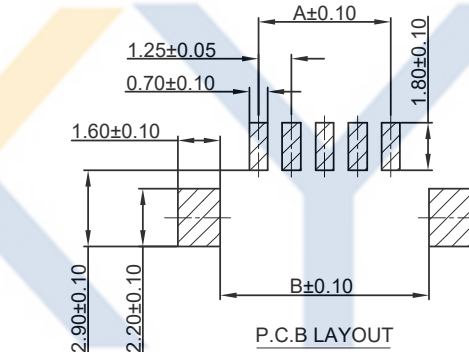
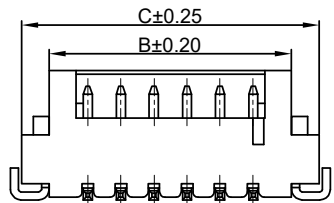
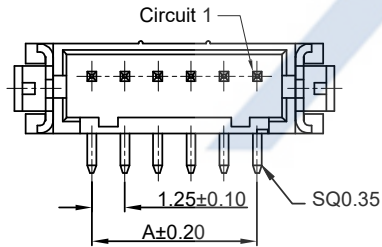
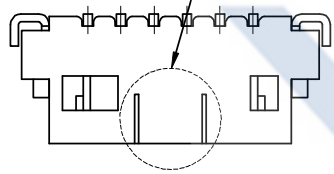
Pin No.		Color
T:TUBE	管裝	Material
R:REEL	卷裝	Version
P:PE	袋裝	Mold No.
D:DIP		R:Right Angle
S:SMT		V:Vertical

- SPEC.:
- Rated Voltage:150V AC,DC
  - Rated Current:1A AC,DC
  - Withstand Voltage:500V AC/minute
  - Contact Resistance:30mΩ max
  - Insulation Resistance:500MΩ min
  - Temperature Range:-25℃~+85℃

- Material:
- Insulator(A):PA6T UL94V-0  
Color: BGE-Beige
  - Contact Pin(B):Brass  
Finish:Gold-plated,over Nickel
  - Solder Tab(C):Phosphor Bronze  
Finish:Gold-plated,over Nickel
  - Cap(D):PA6T UL94V-0  
Color: BGE-Beige



To MAKE SURE THE CAP CAN BE PUT ON THE MIDPOINT FOR 04P TO 15P.



Poles	Dimensions(mm)		
	A	B	C
02	1.25	4.15	6.25
03	2.50	5.40	7.50
04	3.75	6.65	8.75
05	5.00	7.90	10.00
06	6.25	9.15	11.25
07	7.50	10.40	12.50
08	8.75	11.65	13.75
09	10.00	12.90	15.00
10	11.25	14.15	16.25
11	12.50	15.40	17.50
12	13.75	16.65	18.75
13	15.00	17.90	20.00
14	16.25	19.15	21.25
15	17.50	20.40	22.50

**XYCO** 东莞市轩业电子科技有限公司  
TEL: 0769-8297 9981/2/3 <http://www.XYCO.com.cn>

2015-06-21	A		KB911-XXSV5A-P3-BGE	Devin	TOLERANCE 公差	DRAWING 設計者	Devin	KB911-XXSV5A-P3-BGE	
DATE 日期	VER 版本	CHANGE HISTORY 變更歷史	CHANGED NAME 修改後料號	DRAWING 變更者	.X=±0.30 .XX=±0.20 .XXX=±0.10	CHECKED 審查	Thomas	PART NO. 料號	UNIT 單位
						APPROVED 核准	William	DWG NO. 圖號	mm
								PE1807038A	PRODUCT NAME 產品名稱

DF13 PH1.25mm SMT Wire To Board vertical Wafer
--