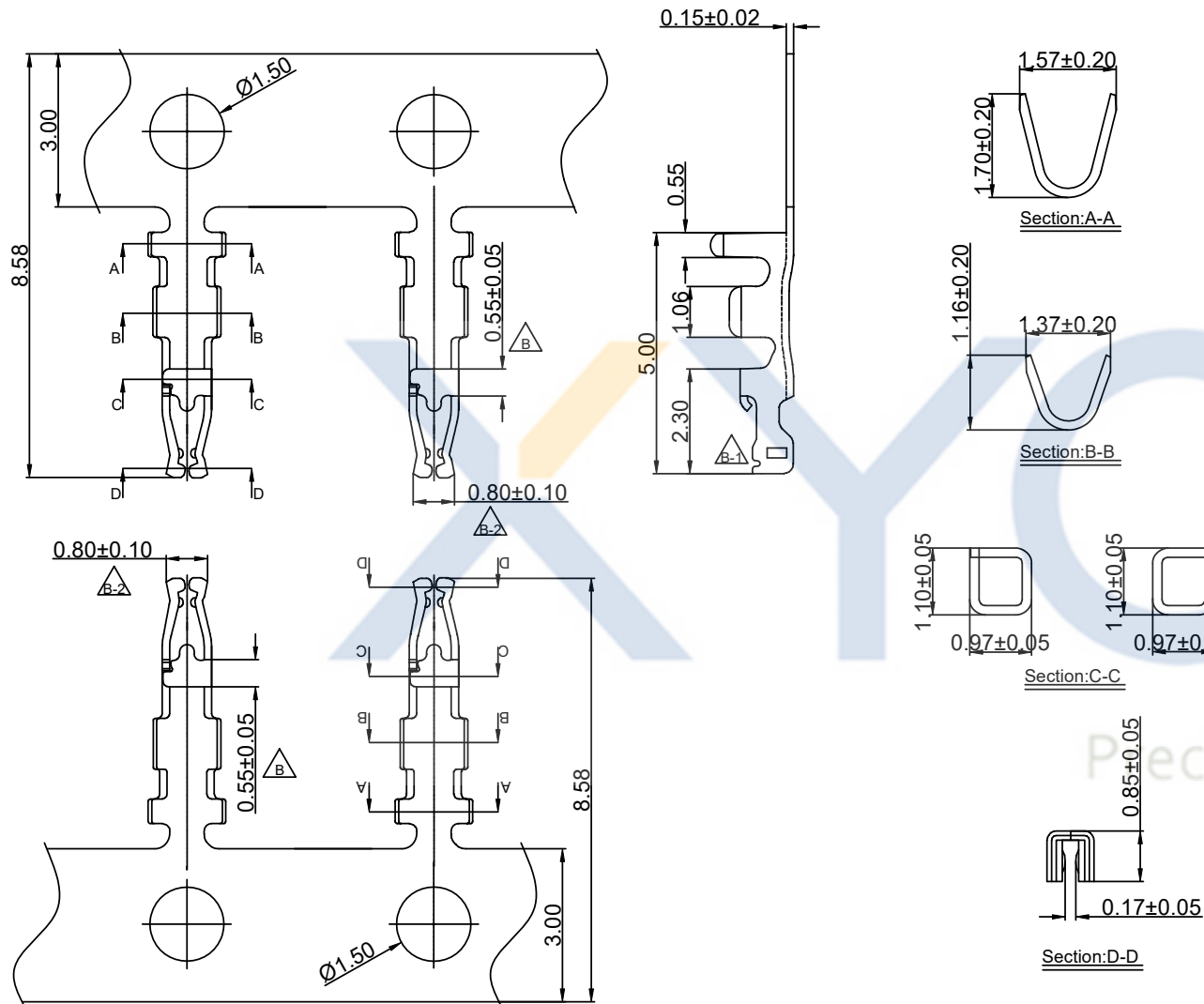


# DRAWING FOR CUSTOMER



- SPEC.:
- Voltage Rating:150V AC/DC
  - Current Rating:1A AC/DC
  - Withstanding Voltage:500V AC/minute
  - Contact Resistance:20mΩ max
  - Insulation Resistance:500MΩ min
  - Temperature Range:35°C~+85°C

- Terminal:
- Material:Phosphor Bronze C5191
  - Finish: Tin/Gold-plated; Over Nickel
  - Applicable wire:AWG#26~32
  - QTY.:15KPCS/Reel

KB912-X X T 1 B

- 1:All plated
- 2:Half plated

Plating

- 0: Tin-plat
- 1: Gold Flash
- 2: Gold Plat3u"
- 3: Gold Plat5u"

Version

Mold No.

Terminal

2018-03-01	B-2	修改端子头部倒角宽度	KB912-XXT1B	Devin
2016-11-05	B-1	修改端子头部形状,优化产品	KB912-XXT1B	Devin
2014-06-20	B	卡点宽度尺寸减少0.10mm	KB912-XXT1B	Devin
DATE 日期	VER 版本	CHANGE HISTORY 變更歷史	CHANGED NAME 修改後料號	DRAWING 變更者

TOLERANCE 公差	DRAWING 設計者	Devin	KB912-XXT1B	
.X±0.30 .XX±0.20 .XXX±0.10	CHECKED 審查	Thomas	PART NO. 料號	
	APPROVED 核准	William	DWG NO. 圖號	PE2901A

**XYCO** 东莞市轩业电子科技有限公司  
 TEL: 0769-8297 9981/2/3 http://www.XYCO.com.cn

UNIT 單位	mm	PRODUCT NAME 產品名稱	DF14 PH1.25mm Wire To Board Terminal
------------	----	----------------------	---