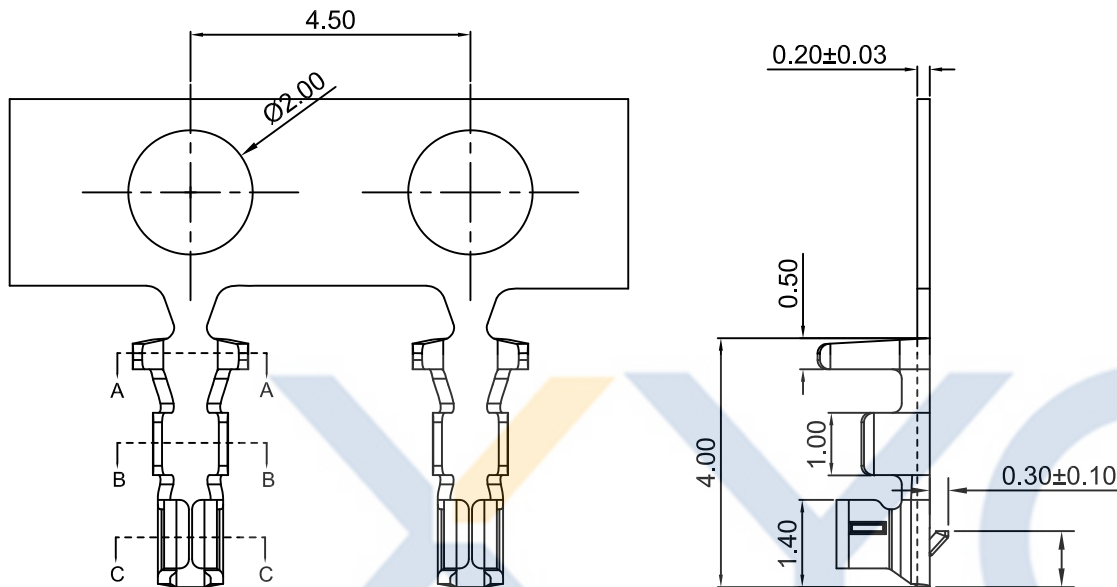


DRAWING FOR CUSTOMER



■SPEC.:

- Rated Voltage:50V AC,DC
- Rated Current:1A AC,DC
- Withstand Voltage:500V AC/minute
- Contact Resistance:20mΩ max
- Insulation Resistance:500MΩ min
- Temperature Range:-25℃~+85℃

■Terminal:

- Material:Phosphor Bronze
- Finish:Tin-plated,over Nickel
- Applicable wire:AWG#26~32
- QTY.:15KPCS/Reel

KB924-X X T 1 A

1:All plated
2:Half plated

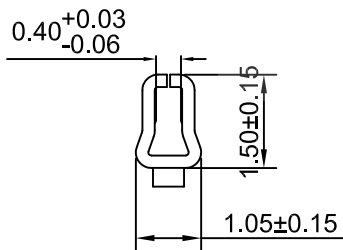
Plating

0: Tin-plat
1: Gold Flash
2: Gold Plat3u"
3: Gold Plat5u"

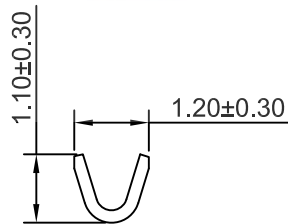
Version

Mold No.

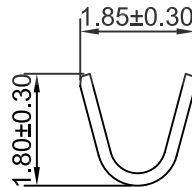
Terminal



SECTION C-C



SECTION B-B



SECTION A-A

XYCO 东莞市轩业电子科技有限公司
TEL: 0769-8297 9981/2/3 <http://www.XYCO.com.cn>

				TOLERANCE 公差		DRAWING 設計者		Devin		KB924-XXT1A					
2021-01-15	A	新模发行	KB924-XXT1A	Devin	.X=±0.30 .XX=±0.20 .XXX=±0.10	CHECKED 審查	Thomas	PART NO. 料號		UNIT 單位	mm	PRODUCT NAME 產品名稱		ZH1.5mm Wire To Board Terminal	
DATE 日期	VER 版本	CHANGE HISTORY 變更歷史	CHANGED NAME 修改後料號	DRAWING 變更者		APPROVED 核准	William	DWG NO. 圖號	PE2101002A						