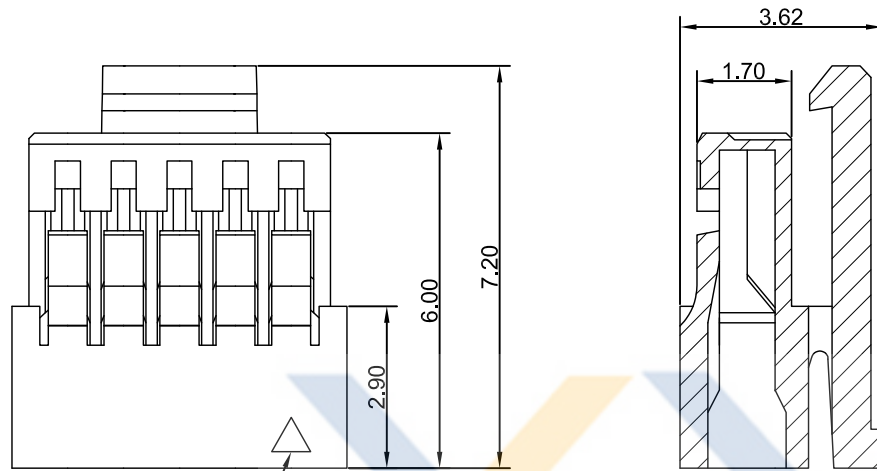


DRAWING FOR CUSTOMER

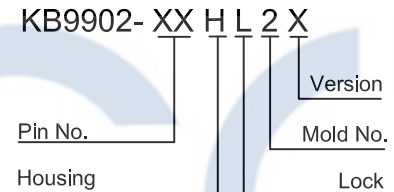


■SPEC.:

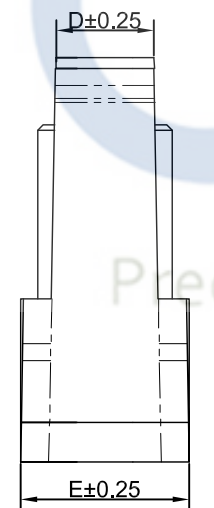
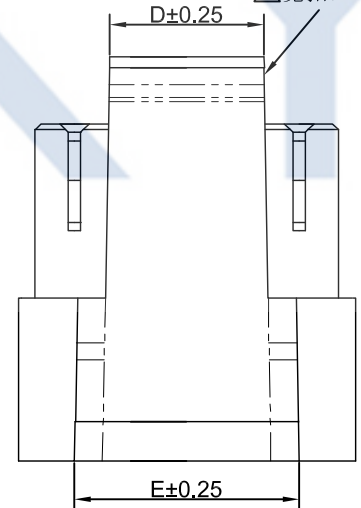
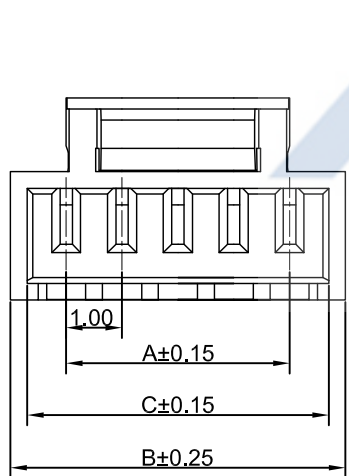
- Voltage Rating: 50V AC/ DC
- Current Rating: 1A AC/ DC
- Withstanding Voltage: 500V AC/Minute
- Contact Resistance: 20mΩ max
- Insulation Resistance: 100MΩ min
- Temperature Range: -25°C~+85°C

■Material:

- Insulator: PA66 UL94V-0
- Color: White



*窄扣: KB9902-XXHL2A
 ▲宽扣: KB9902-XXHL2B



03~20P

02P

Poles	Dimensions (mm)				
	A	B	C	D	E
02	1.00	3.00	2.40	1.75	3.00
03	2.00	4.00	3.40	1.75	3.00
	2.00	4.00	3.40	2.75	4.00
04	3.00	5.00	4.40	2.75	4.00
05	4.00	6.00	5.40	2.75	4.00
06	5.00	7.00	6.40	2.75	4.00
07	6.00	8.00	7.40	2.75 (窄扣)	4.00 (窄扣)
08	7.00	9.00	8.40		
09	8.00	10.00	9.40	4.75 (宽扣)	6.00 (宽扣)
10	9.00	11.00	10.40		
11	10.00	12.00	11.40		
12	11.00	13.00	12.40		
13	12.00	14.00	13.40		
14	13.00	15.00	14.40		
15	14.00	16.00	15.40		
16	15.00	17.00	16.40		
17	16.00	18.00	17.40		
18	17.00	19.00	18.40		
19	18.00	20.00	19.40		
20	19.00	21.00	20.40		

XYCO 东莞市轩业电子科技有限公司
 TEL: 0769-8297 9981/2/3 http://www.XYCO.com.cn

2018-07-15	B	增加宽扣	KB9902-XXHL2X	Devin	TOLERANCE 公差	DRAWING 設計者	Devin	KB9902-XXHL2X	
2016-05-23	A		KB9902-XXHL2X	Devin	.X=±0.30 .XX=±0.20 .XXX=±0.10	CHECKED 審查	Thomas	PART NO. 料號	
DATE 日期	VER 版本	CHANGE HISTORY 變更歷史	CHANGED NAME 修改後料號	DRAWING 變更者		APPROVED 核准	William	DWG NO. 圖號	PE2108A

UNIT 單位	mm	PRODUCT NAME 產品名稱	NH PH1.00mm Wire To Board Housing With Lock
------------	----	----------------------	--