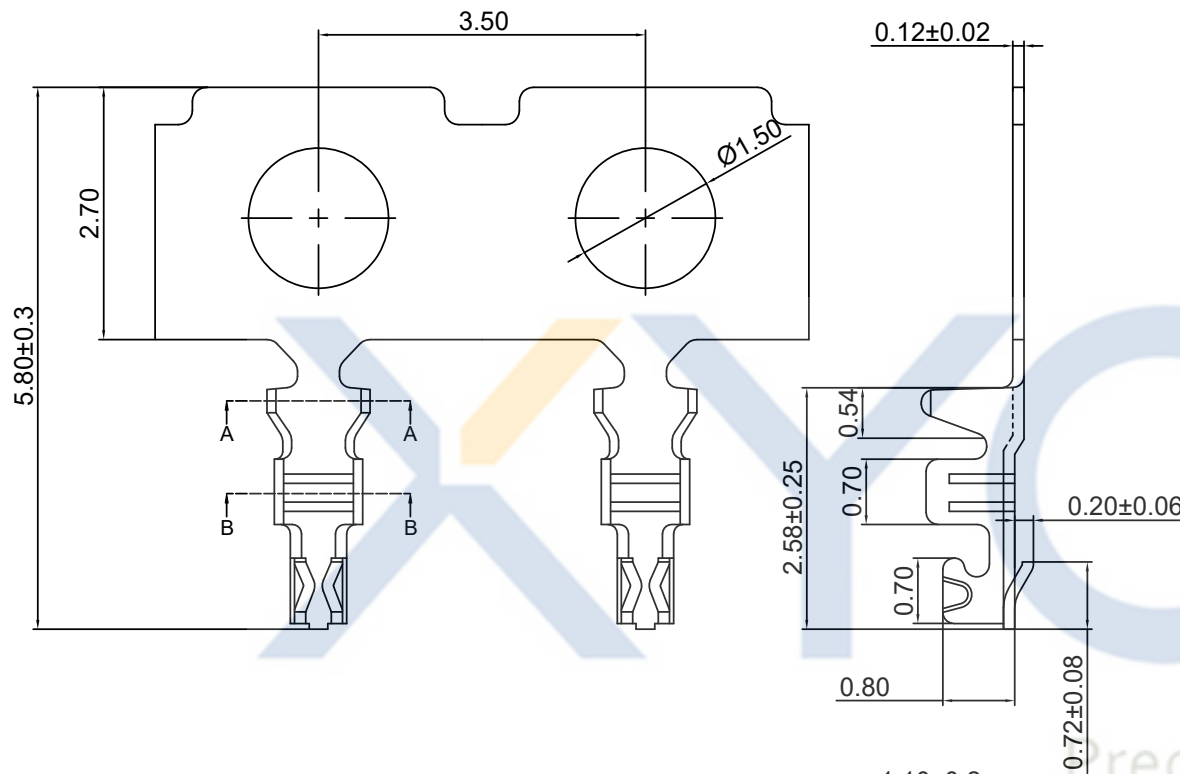


DRAWING FOR CUSTOMER



■SPEC.:

- Rated Voltage: 30V AC,DC
- Rated Current: 1.0A AC,DC
- Withstand Voltage: 200V AC/minute
- Contact Resistance: 30mΩ max
- Insulation Resistance: 100MΩ min
- Temperature Range: -25°C~+85°C

■Terminal:

- Material: Phosphor Bronze
- Finish: Tin/Gold plated ;Over Nickel
- Applicable wire: AWG#28~34
- Insulation O.D: 0.60mm max
- Q'TY/Reel: 20KPCS/Reel

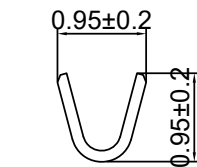
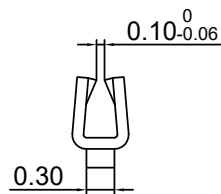
KB802-XX T 1 A

10: Tin plated
11: Gold plated

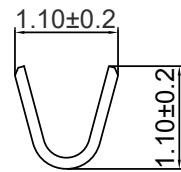
Version

Terminal

Mold No.



Section: B-B



Section: A-A

TOLERANCE 公差	DRAWING 設計者	Devin	KB802-XXT1A	
.X=±0.30	CHECKED 審查	Thomas	PART NO. 料號	
.XX=±0.20	APPROVED 核准	William	DWG NO. 圖號	PE200703A
.XXX=±0.10				

XYCO 东莞市轩业电子科技有限公司
TEL: 0769-8297 9981/2/3 http://www.XYCO.com.cn

DATE 日期	VER 版本	CHANGE HISTORY 變更歷史	CHANGED NAME 修改後料號	DRAWING 變更者
2016-03-30	A		KB802-XXT1A	Devin

UNIT 單位	mm	PRODUCT NAME 產品名稱	SUH PH0.8 Wire to Board Terminal
------------	----	----------------------	-------------------------------------