

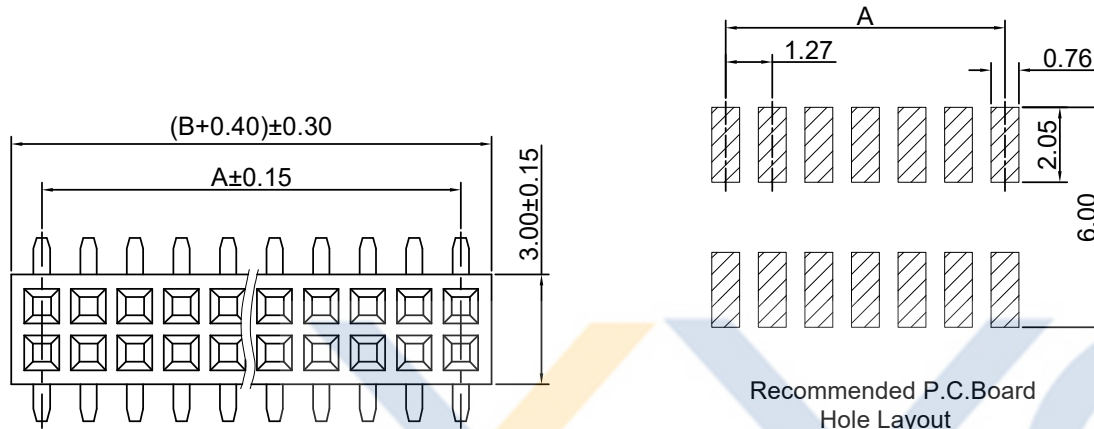
# DRAWING FOR CUSTOMER

## ■SPEC.:

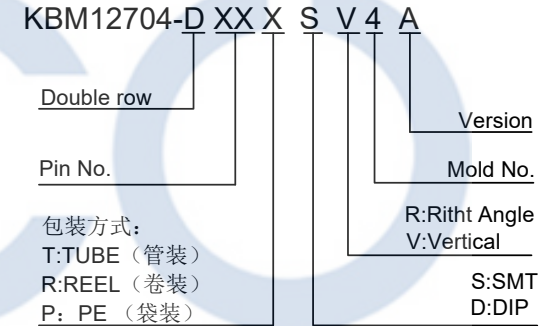
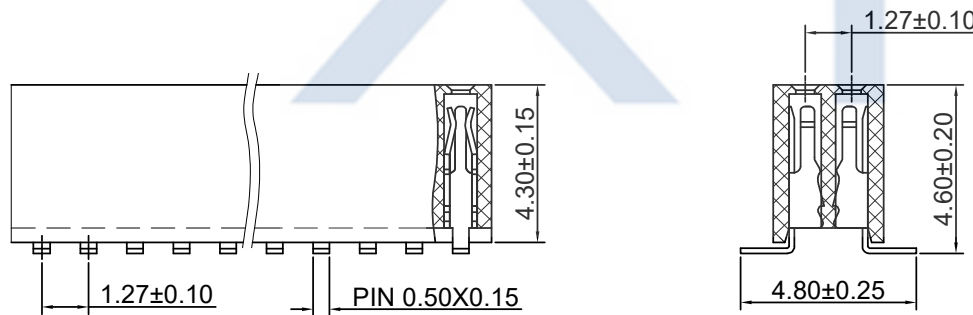
- Rated Current:1.0A AC,DC
- Withstand Voltage:500V AC/minute
- Insulation Resistance:1000MΩ min
- Contact Resistance: 20mΩ Max
- Temperature Range:-40℃~+105℃

## ■Material:

- Insulator Material:PA6T UL 94V-0
- Contact Material:Phosphor Bronze
- Finish:Gold-plated,over Nickel
- Max. Processing Temp:240℃ for 30-60seconds  
(260℃ for 5seconds)



Recommended P.C.Board  
Hole Layout  
(Tolerance:±0.05)



包裝方式:

- T:TUBE (管裝)
- R:REEL (卷裝)
- P: PE (袋裝)

| Poles | A     | B     | Poles | A     | B     | Poles | A     | B     | Poles | A     | B     | Poles | A     | B     |
|-------|-------|-------|-------|-------|-------|-------|-------|-------|-------|-------|-------|-------|-------|-------|
| 1     | —     | —     | 11    | 12.70 | 13.97 | 21    | 25.40 | 26.67 | 31    | 38.10 | 39.37 | 41    | 50.80 | 52.07 |
| 2     | 1.27  | 2.54  | 12    | 13.97 | 15.24 | 22    | 26.67 | 27.94 | 32    | 39.37 | 40.64 | 42    | 52.07 | 53.34 |
| 3     | 2.54  | 3.81  | 13    | 15.24 | 16.51 | 23    | 27.94 | 29.21 | 33    | 40.64 | 41.91 | 43    | 53.34 | 54.61 |
| 4     | 3.81  | 5.08  | 14    | 16.51 | 17.78 | 24    | 29.21 | 30.48 | 34    | 41.91 | 43.18 | 44    | 54.61 | 55.88 |
| 5     | 5.08  | 6.35  | 15    | 17.78 | 19.05 | 25    | 30.48 | 31.75 | 35    | 43.18 | 44.45 | 45    | 55.88 | 57.15 |
| 6     | 6.35  | 7.62  | 16    | 19.05 | 20.32 | 26    | 31.75 | 33.02 | 36    | 44.45 | 45.72 | 46    | 57.15 | 58.42 |
| 7     | 7.62  | 8.89  | 17    | 20.32 | 21.59 | 27    | 33.02 | 34.29 | 37    | 45.72 | 46.99 | 47    | 58.42 | 59.69 |
| 8     | 8.89  | 10.16 | 18    | 21.59 | 22.86 | 28    | 34.29 | 35.56 | 38    | 46.99 | 48.26 | 48    | 59.69 | 60.96 |
| 9     | 10.16 | 11.43 | 19    | 22.86 | 24.13 | 29    | 35.56 | 36.83 | 39    | 48.26 | 49.53 | 49    | 60.96 | 62.23 |
| 10    | 11.43 | 12.70 | 20    | 24.13 | 25.40 | 30    | 36.83 | 38.10 | 40    | 49.53 | 50.80 | 50    | 62.23 | 63.50 |

**XYCO** 东莞市轩业电子科技有限公司  
TEL: 0769-8297 9981/2/3 <http://www.XYCO.com.cn>

|            |           |                        |                       |                |                                     |                |         |                   |                      |
|------------|-----------|------------------------|-----------------------|----------------|-------------------------------------|----------------|---------|-------------------|----------------------|
| 2017-11-05 | A         |                        | KBM12704-DXXXSV4A     | Devin          | TOLERANCE<br>公差                     | DRAWING<br>設計者 | Devin   | KBM12704-DXXXSV4A |                      |
| DATE<br>日期 | VER<br>版本 | CHANGE HISTORY<br>變更歷史 | CHANGED NAME<br>修改後料號 | DRAWING<br>變更者 | .X=±0.30<br>.XX=±0.20<br>.XXX=±0.10 | CHECKED<br>審查  | Thomas  | PART NO. 料號       | UNIT<br>單位           |
|            |           |                        |                       |                |                                     | APPROVED<br>核准 | William | DWG NO.<br>圖號     | mm                   |
|            |           |                        |                       |                |                                     |                |         | PE171104A         | PRODUCT NAME<br>產品名稱 |

|                                       |
|---------------------------------------|
| PH:1.27 Female Double row SMT H4.30mm |
|---------------------------------------|