

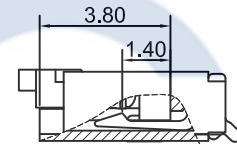
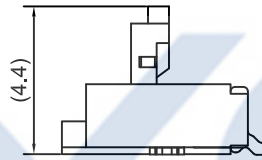
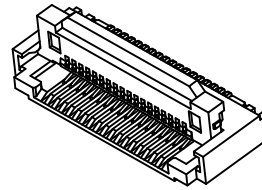
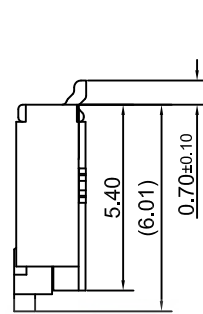
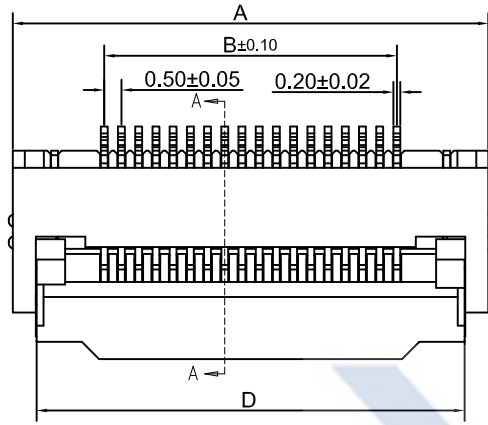
# DRAWING FOR CUSTOMER

NOTES:

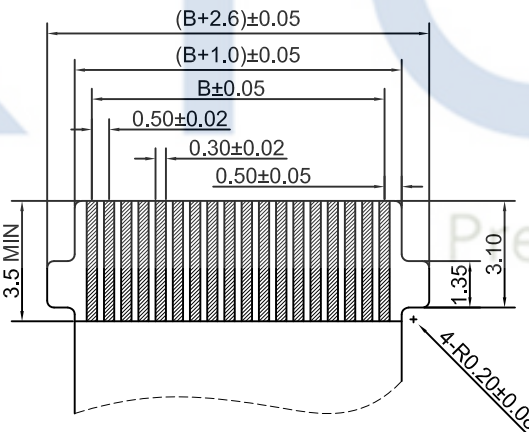
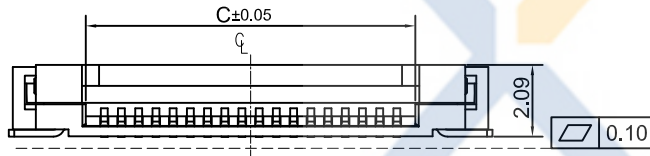
- HUOSINGT:LCP HIGH-TEMP THERMOPLASTIC UL94V-0 COLOR:BEIGE
- ACTUATOR:LCP HIGH-TEMP THERMOPLASTIC UL94V-0 COLOR:BLACK
- TERMINAL: PHOSPHOR BRONZE  
PLATING:GOLD FLASH OR MATTE-TIN OR TIN (LEAD FREE)
- FITTING NAIL: BRASS  
PLATING:MATTE-TIN OR TIN (LEAD FREE)

**KBF508-XX X S R 200 L 2 A**

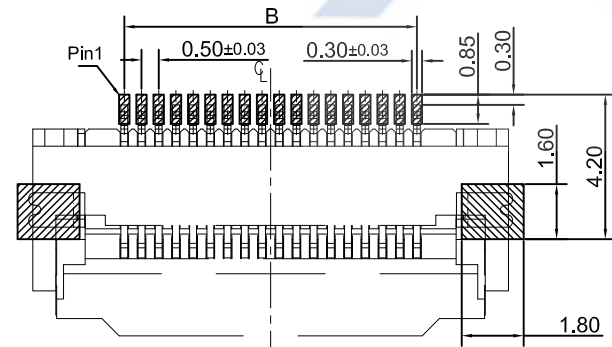
Pin No. \_\_\_\_\_ Version \_\_\_\_\_  
 Mold No. \_\_\_\_\_  
 包装方式:  
 T:TUBE (管装)  
 R:REEL (卷装)  
 P: PE (袋装)  
 S:SMT  
 R:Right Angle  
 V:Vertical  
 Connects Type:U:Upper  
 L:Lower  
 R:Right  
 F:Left  
 D:Double  
 H厚度: 1.0mm=100  
 1.2mm=120  
 1.5mm=150  
 2.0mm=200



CABLE INSERT DIM.  
SECTION: A-A



RECOMMENDED FFC SIZE  
THICKNESS 0.3±0.03



RECOMMENDED PCB PATTERN DIM.

TOLERANCE : ±0.05

PIN	Dimensions			
	A	B	C	D
10	9.81	4.50	5.57	8.43
11	10.31	5.00	6.07	8.93
12	10.81	5.50	6.57	9.43
13	11.31	6.00	7.07	9.93
14	11.81	6.50	7.57	10.43
15	12.31	7.00	8.07	10.93
16	12.81	7.50	8.57	11.43
17	13.31	8.00	9.07	11.93
18	13.81	8.50	9.57	12.43
19	14.31	9.00	10.07	12.93
20	14.81	9.50	10.57	13.43
21	15.31	10.00	11.07	13.93
22	15.81	10.50	11.57	14.43
23	16.31	11.00	12.07	14.93
24	16.81	11.50	12.57	15.43
25	17.31	12.00	13.07	15.93
26	17.81	12.50	13.57	16.43
27	18.31	13.00	14.07	16.93
28	18.81	13.50	14.57	17.43
29	19.31	14.00	15.07	17.93
30	19.81	14.50	15.57	18.43
31	20.31	15.00	16.07	18.93
32	20.81	15.50	16.57	19.43
33	21.31	16.00	17.07	19.93
34	21.81	16.50	17.57	20.43
35	22.31	17.00	18.07	20.93
36	22.81	17.50	18.57	21.43
37	23.31	18.00	19.07	21.93
38	23.81	18.50	19.57	22.43
39	24.31	19.00	20.07	22.93
40	24.81	19.50	20.57	23.43

## XYCO PRECISION CONNECTORS

TEL: 0769-8297 9981/2/3 <http://www.XYCO.com.cn>

2015-07-10		A		KBF508-XXXSR200L2A		Devin		TOLERANCE 公差		DRAWING 設計者 Devin		KBF508-XXXSR200L2A	
DATE 日期	VER 版本	CHANGE HISTORY 變更歷史	CHANGED NAME 修改後料號	DRAWING 變更者	.X=±0.30 .XX=±0.20 .XXX=±0.10	CHECKED 審查	THOMAS	APPROVED 核准	WILLIAM	PART NO. 料號	UNIT 單位 mm	PRODUCT NAME 產品名稱	0.5 ZIF FPC SMT R/A B/C

DWG NO. 圖號	PE201020A	PRODUCT NAME 產品名稱	0.5 ZIF FPC SMT R/A B/C
------------	-----------	-------------------	-------------------------