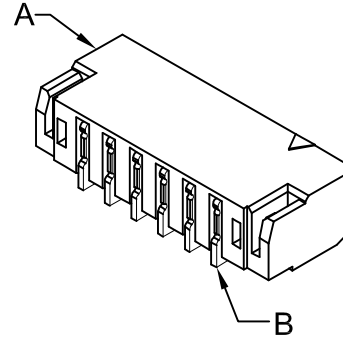
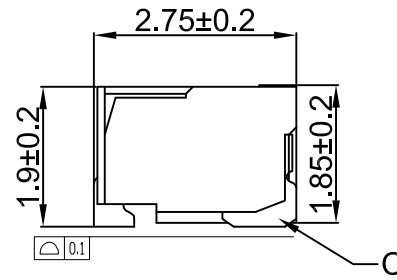
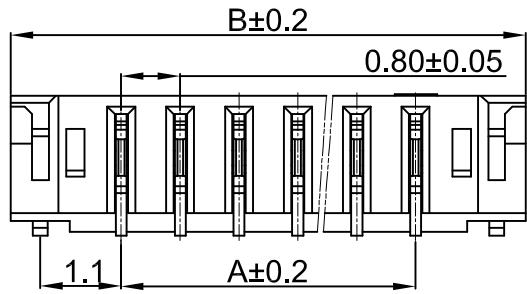


# DRAWING FOR CUSTOMER

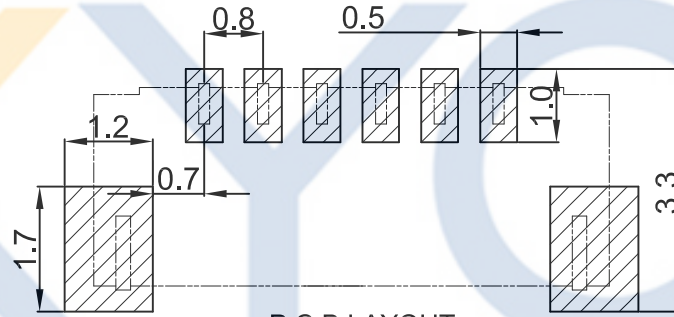
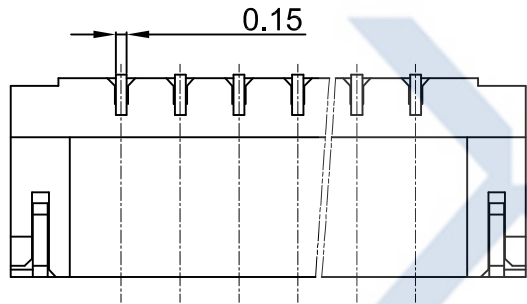


### ■SPEC.:

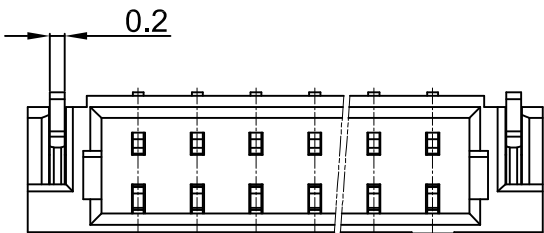
- Rated Voltage: 30V AC,DC
- Rated Current: 0.5A
- Withstand Voltage: 200V AC/minute
- Contact Resistance: 20mΩ max
- Insulation Resistance: 100MΩ min
- Temperature Range: -25°C~+85°C

### ■Material:

- Insulator(A): LCP UL94V-0
- Contact Pin(B): Phosphor Bronze  
Finish:Matted Sn-Plated,over Nickel
- Solder Tab(C):Phosphor Bronze  
Finish:Matted Sn-Plated,over Nickel



P.C.B LAYOUT



KB802-X X X S R S 6 A

Pin No.

P:PE 袋装  
R:REEL 卷装  
T:TUBE 管装  
S:SMT  
D:DIP

Version  
Mold No.

G:GOLD FLASH  
S:MATTE TIN

R:Right angle  
V:Verical

Poles	Dimensions(mm)		Poles	Dimensions(mm)	
	A	B		A	B
02	0.8	3.8	14	10.4	13.4
03	1.6	4.6	15	11.2	14.2
04	2.4	5.4	16	12.0	15.0
05	3.2	6.2	17	12.8	15.8
06	4.0	7.0	18	13.6	16.6
07	4.8	7.8	19	14.4	17.4
08	5.6	8.6	20	15.2	18.2
09	6.4	9.4	21	16.0	19.0
10	7.2	10.2	22	16.8	19.8
11	8.0	11.0	23	17.6	20.6
12	8.8	11.8	24	18.4	21.4
13	9.6	12.6	25	19.2	22.2

**XYCO** 东莞市轩业电子科技有限公司  
TEL: 0769-8297 9981/2/3 <http://www.XYCO.com.cn>

2016-11-30	A		KB802-XXXSRS6A	Devin	TOLERANCE 公差	DRAWING 設計者	Devin	KB802-XXXSRS6A
DATE 日期	VER 版本	CHANGE HISTORY 變更歷史	CHANGED NAME 修改後料號	DRAWING 變更者	.X=±0.30 .XX=±0.20 .XXX=±0.10	CHECKED 審查	Thomas	PART NO. 料號
						APPROVED 核准	William	DWG NO. 圖號

UNIT 單位	mm	PRODUCT NAME 產品名稱	SURS PH0.80mm Wire To Board SMT Right Angle Wafer
------------	----	----------------------	--